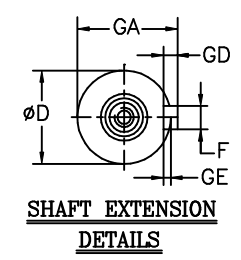
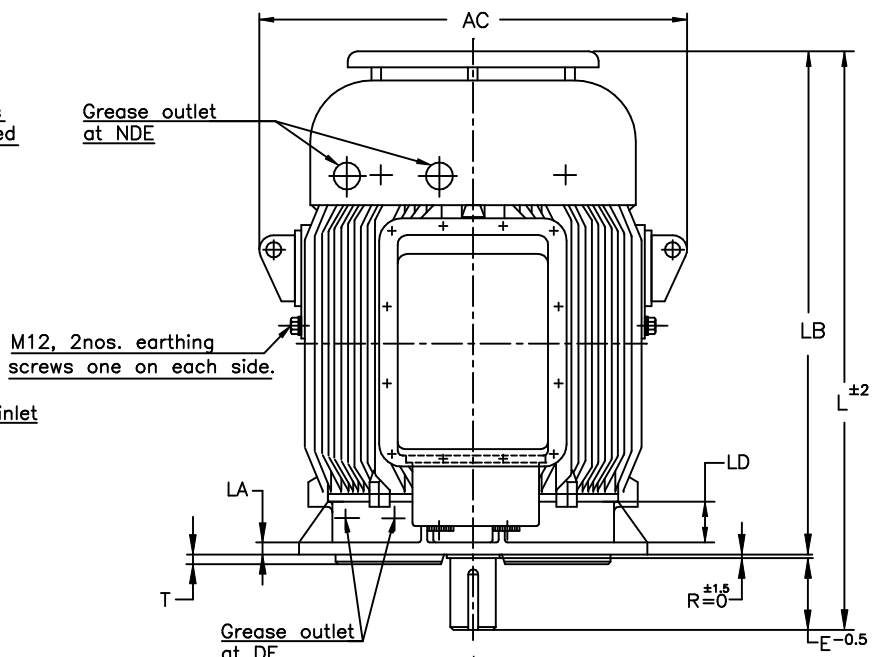
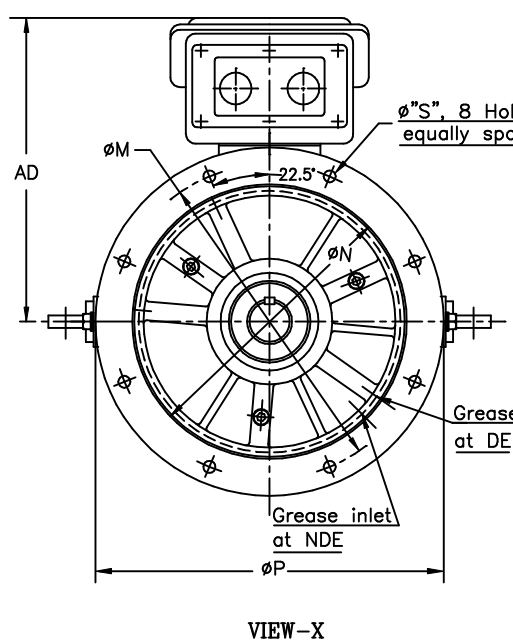


AS PER KSD-02-027

ALL INFORMATION CONTAINED IN THIS DOCUMENT IS CONFIDENTIAL AND THE PROPERTY OF KIRLOSKAR ELECTRIC CO. LTD. REPRODUCTION OF THESE IN ANY FORM IS TO BE DONE WITH THE SPECIFIC PERMISSION OF THE COMPANY.

ANGLES ± 1/2°	LINEAR DIMENSIONS (MACHINED)	ABOVE UPTO TOLERANCE	0	6	315	1000	2000	4000	8000	±0.2	±0.5	±1.2	±2	±3
	REVISIONS	REV.	ZONE	BRIEF RECORD										SIGNATURE



VSC315	4,6&8	900	605	80	170	22	85	14	9	1350	24	1180	58	600	550	660	0	24	6
VSC315	2	900	605	65	140	18	69	11	7	1320	24	1180	58	600	550	660	0	24	6
VSC280	4,6&8	820	500	75	140	20	79.5	12	7.5	1070	22	930	65	500	450	550	0	19	5
VSC280	2	820	500	65	140	18	69	11	7	1070	22	930	65	500	450	550	0	19	5
VSC250	4,6&8	770	490	65	140	18	69	11	7	950	18	810	50	500	450	550	0	19	5
VSC250	2	770	490	60	140	18	64	11	7	950	18	810	50	500	450	550	0	19	5
FRAME	POLE	AC	AD	D	E	F	GA	GD	GE	L	LA	LB	LD	M	N	P	R	S	T

- NOTE:-
- DIMENSIONS ARE AS PER I.S.1231 AND I.S.: 2223 TYPE "B" FLANGE.
 - DEGREE OF PROTECTION: IP:55.
 - TOLERANCE ON "D" : m6.
 - TOLERANCE ON "N" : j6 FOR 250 & 280 FRAMES. : js6 FOR 315 FRAME.
 - PROTECTED CENTER HOLE "M20x40" DEEP AS PER IS:2540 AT SHAFT EXTENSION.
 - TERMINAL BOX CAN BE ROTATED THROUGH 360° IN STEPS OF 90°
 - TOLERANCE ON "M" : ±0.5 FOR 250 & 280 FRAMES. : ±1 FOR 315 FRAME.

THIS SUPERSEDES FROM dt. SIGN & dt.		THIS SUPERSEDED BY FROM dt. SIGN & dt.		
MATERIAL SPECIFICATION	RAW MATERIAL SIZE	WEIGHT kg	SCALE	
		RM FIN.		
CASTING/FAB REF. USED ON	No.P.S.:	SCALE		
VSC 250 TO 315		DRAWN	CHECKED	APPROVED
		sd/-	sd/-	sd/-
TITLE: DIMENSIONAL DRAWING		dt.23.10.98	dt.23.10.98	dt.23.10.98
		SHEET No. ONE of ONE		



FORM No. 11401033