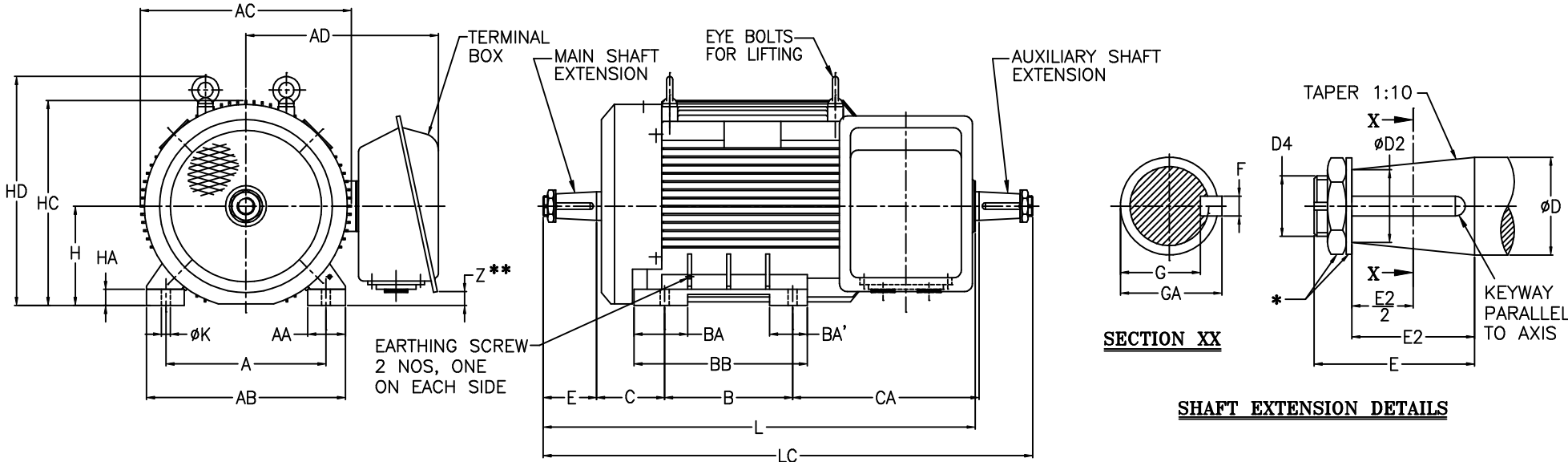


DRG.

DO NOT SCALE THE DRAWING

ALL DIMENSIONS ARE IN mm UNLESS OTHERWISE STATED



NOTE:-

1. TOLERANCE ON 'H'. FRAME 250 $^{+0.0}_{-0.5}$; FRAME 280 & 315 $^{+0.0}_{-1.0}$
2. DIMENSIONS ARE AS PER IPSS.
- *3. NUTS AND LOCK WASHERS WILL BE SENT ALONG WITH MOTOR.
4. TERMINAL BOX CAN BE ROTATED THROUGH 360° IN STEPS OF 90°.
5. DEGREE OF PROTECTION IP:55.
6. MAIN AND AUXILIARY SHAFT EXTENSIONS ARE IDENTICAL.
- **7. FOR FRAME 250 & 280 T.BOX WILL BE ABOVE THE FOOT LEVEL.
FOR FRAME 315 T.BOX WILL EXTEND BELOW THE FOOT LEVEL.

ID315M	508	457	216	90	77	M64X4	170	130	22	77.8	91.8	315	28	1425	1605	120	632	675	625	170	120	550	592	51	655	730	-15	1550	1750	1800	1170	940
ID315S	508	406	216	90	77	M64X4	170	130	22	77.8	91.8	315	28	1375	1555	120	632	675	625	170	120	550	593	51	655	730	-15	1500	1700	1750	1170	940
ID280M	457	419	190	80	67	M56X4	170	130	20	69.3	81.3	280	24	1315	1495	90	545	615	530	140	90	480	546	50	590	635	40	1050	1200	1700	1030	840
ID280S	457	368	190	80	67	M56X4	170	130	20	69.3	81.3	280	24	1265	1445	90	545	615	530	140	90	480	547	50	590	635	40	1000	1150	1650	1030	840
ID250M	406	349	168	70	59.5	M48X3	140	105	18	60.4	71.4	250	24	1190	1340	85	496	570	490	85	85	407	543	45	535	580	10	800	950	1550	970	780
FRAME	A	B	C	D	D2	D4	E	E2	F	G	GA	H	K	L	LC	AA	AB	AC	AD	BA	BA'	BB	CA	HA	HC	HD	Z	NETT WEIGHT IN kg	GROSS WEIGHT IN kg	Ln	Br	Ht

						CUSTOMER / O/A No.		FOR QUOTATION ONLY		SCALE NTS		DRAWN		8/7/05/14	
								USED ON / TYPE		CRANE DUTY MOTORS		CHECKED		8/7/05/14	
		R1		A,B-1		BEARING SIZE DEATILS REMOVED		sd/-		27/06/2000		APPROVED		8/7/05/14	
		REV.		ZONE		BRIEF RECORD		SIGNATURE		DATE		TITLE:		31104997 R1	
		MKTG. AC MOTORS		PRINTS ISSUED TO		ALL INFORMATION CONTAINED IN THIS DOCUMENT IS CONFIDENTIAL AND THE PROPERTY OF KIRLOSKAR ELECTRIC CO. LTD. REPRODUCTION OF THESE IN ANY FORM IS TO BE DONE WITH THE SPECIFIC PERMISSION OF THE COMPANY.		DRAWING No.		FROM DT.		SIGN & DATE.		SHEET NO.....ONE..... OF.....ONE.....	
						THIS SUPERSEDES								KIRLOSKAR ELECTRIC COMPANY LTD. BANGALORE - 560055 (INDIA)	