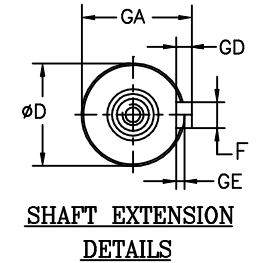
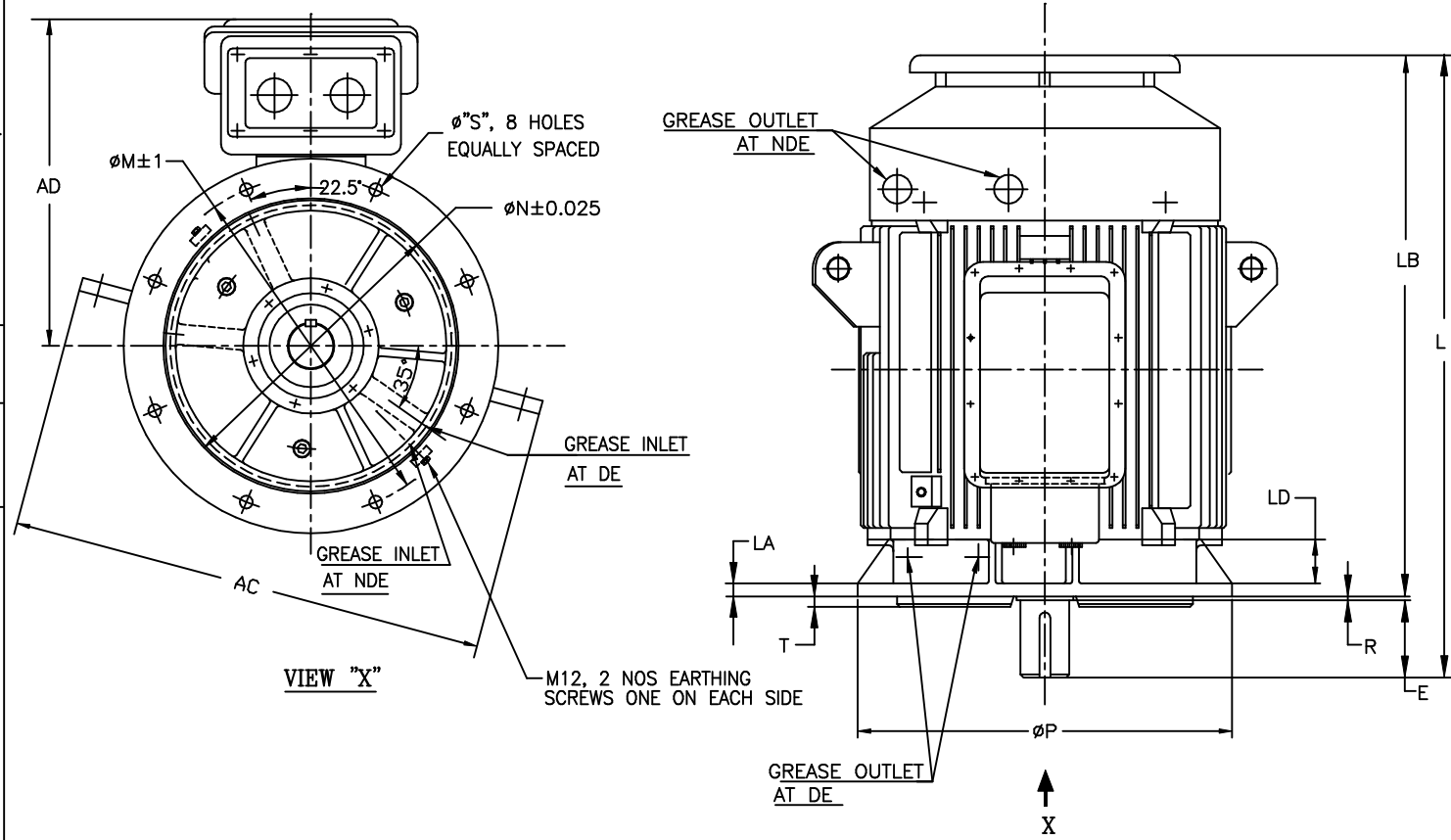


AS PER KSD-02-027

ALL INFORMATION CONTAINED IN THIS DOCUMENT IS CONFIDENTIAL AND THE PROPERTY OF KIRLOSKAR ELECTRIC CO. LTD. REPRODUCTION OF THESE IN ANY FORM IS TO BE DONE WITH THE SPECIFIC PERMISSION OF THE COMPANY.

UC:	315	1000	2000	4000
RAD:	0	6	315	1000
ABOVE DIMENSIONS (MACHINED)	±0.2	±0.5	±0.8	±1.2
UPTO DIMENSIONS (MACHINED)	±0.2	±0.5	±0.8	±1.2



- NOTE:-**
- DIMENSIONS ARE AS PER I.S.1231 AND I.S: 2223 TYPE "B" FLANGE.
 - DEGREE OF PROTECTION: IP:55.
 - TOLERANCE ON "D" : m6.
 - PROTECTED CENTER HOLE "M24X50" DEEP FOR φ100, "M20X40" DEEP FOR φ80 AS PER IS:2540 AT SHAFT EXTENSION.
 - TERMINAL BOX CAN BE ROTATED THROUGH 360° IN STEPS OF 90°

eVSCX/nVSCX355	4,6&8	905	655	100	210	28	106	16	10	1715	26	1505	70	740	680	800	0	24	6
	2			80	170	22	85	14	9	1675									

FRAME	POLE	AC	AD	D	E	F	GA	GD	GE	L	LA	LB	LD	M	N	P	R	S	T

THIS SUPERSEDES FROM dt SIGN & dt.
 THIS SUPERSEDED BY FROM dt SIGN & dt.

MATERIAL SPECIFICATION	RAW MATERIAL SIZE	WEIGHT kg
-	-	RM FIN.
-	-	No.P.S.

CASTING/FAB REF.
 USED ON
 TITLE: **DIMENSIONAL DRAWING**

SCALE: NTS

DRAWN	CHECKED	APPROVED
sd/-	sd/-	sd/-
dt. 98/11/02	dt. 98/11/02	dt. 98/11/02

31113898

SHEET NO. ONE OF ONE

KIRLOSKAR ELECTRIC COMPANY LTD. BANGALORE - 560055 (INDIA)



FORM No. 1140T033