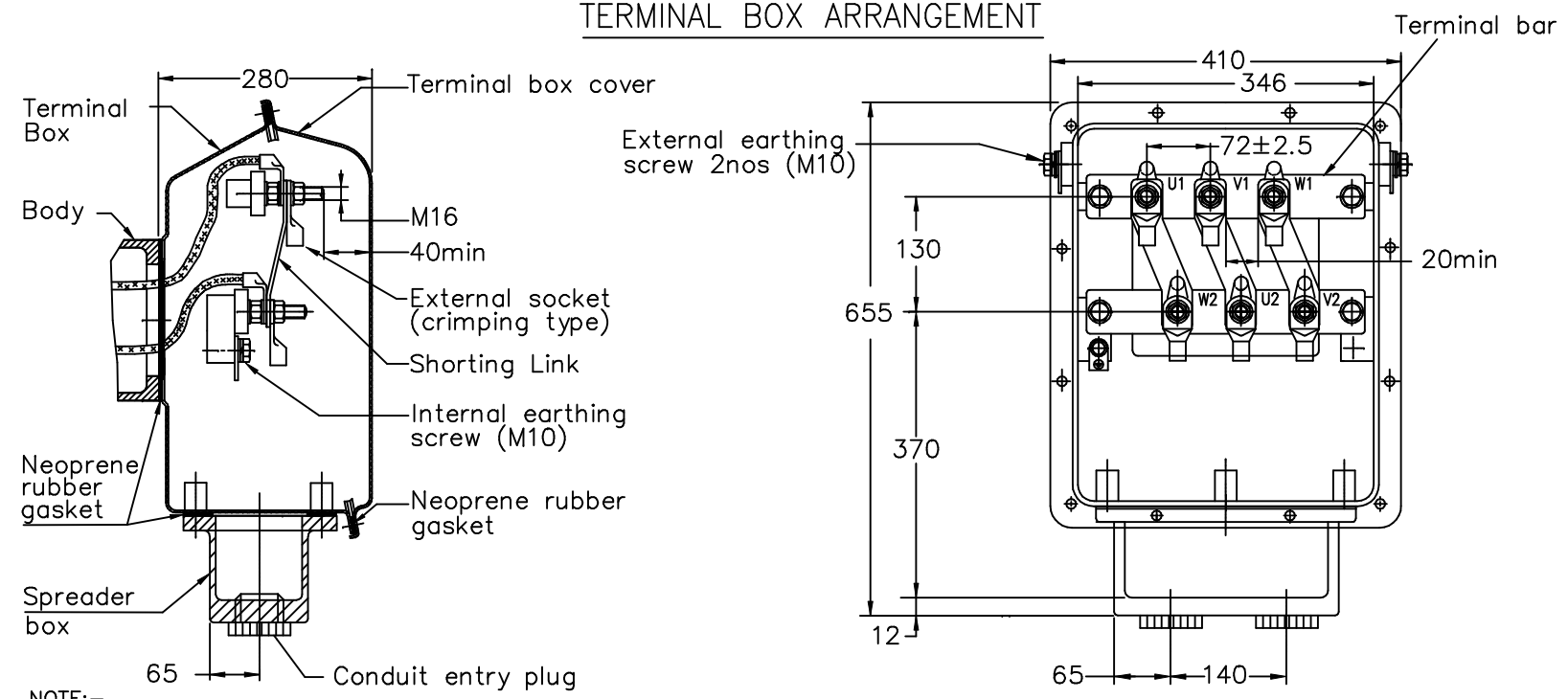


- NOTE :**
1. DIMENSIONS ARE AS PER IS:1231 & 2223
 2. DEGREE OF PROTECTION / COOLING: IP:55/IC:411.
 3. TERMINAL BOX CAN BE ROTATABLE THROUGH 360° IN STEPS OF 90° .
 4. KEY & KEYWAY ARE AS PER IS:2048 & TOLERANCE ON KEYWAY IS P9.
 5. PROTECTED CENTRE HOLE AT SHAFT EXTENSION AS PER IS:2540. M20X40
 6. * OPTIONAL INCASE OF DOUBLE SHAFT EXTENSION
 7. UNLESS OTHERWISE SPECIFIED TERMINAL BOX WILL BE ON RHS WITH SINGLE SHAFT EXTENSION

RC315L	4,6&8	80	170	22	85	14	1505	1685
	2	65	140	18	69	11	1475	1625
FRAME	POLE	D	E	F	GA	GD	L	LC

TERMINAL BOX ARRANGEMENT



- NOTE:-**
1. MINIMUM ELECTRICAL CLEARANCE AND CREEPAGE DISTANCES ARE AS PER BS:4999, PART-145.
 2. CABLE SIZE:- 2 OF 3 C x 240 Sq.mm AYFY.

ITEM/TAG No.		PROJECT :		JOB No.	
RATING		CONSULTANT		CUSTOMER / O/A No.	
CABLE SIZE				SCALE	
R2	RC250 SIZE T.BOX LOCATED ON TOP SIDE OF MOTOR REMOVED	SPC/VSH	30.7.16	DRAWN	SPC 20.05.16
R1	FRAME DESIGNATION FBRC315L WAS FBRC315LLX	KKH/VSH	04.04.16	CHECKED	VSH 20.05.16
	AND TABLE FOR LX REMOVED			APPROVED	RNV 20.05.16
REV.	ZONE	BRIEF RECORD	SIGNATURE	DATE	TITLE:
					DIMENSION SHEET
ALL INFORMATION CONTAINED IN THIS DOCUMENT IS CONFIDENTIAL AND THE PROPERTY OF KIRLOSKAR ELECTRIC CO. LTD. REPRODUCTION OF THESE IN ANY FORM IS TO BE DONE WITH THE SPECIFIC PERMISSION OF THE COMPANY.		DRAWING No.	FROM DT.	SIGN & DATE.	KHD61347 R2
PRINTS ISSUED TO		THIS SUPERSEDES			SHEET NO. ONE OF ONE
		THIS IS SUPERSEDED BY			KIRLOSKAR ELECTRIC COMPANY LTD. HUBLI - 580030 (INDIA)