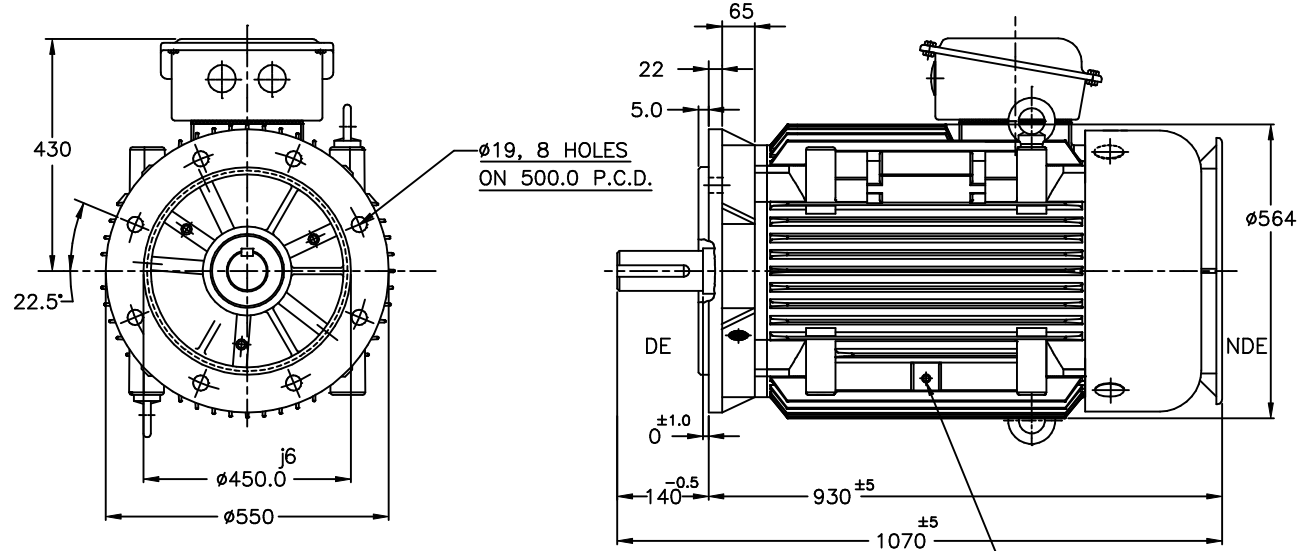
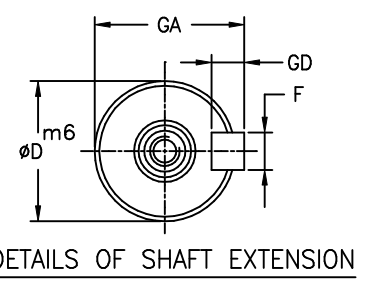


IF IN DOUBT ASK
ENGINEERING



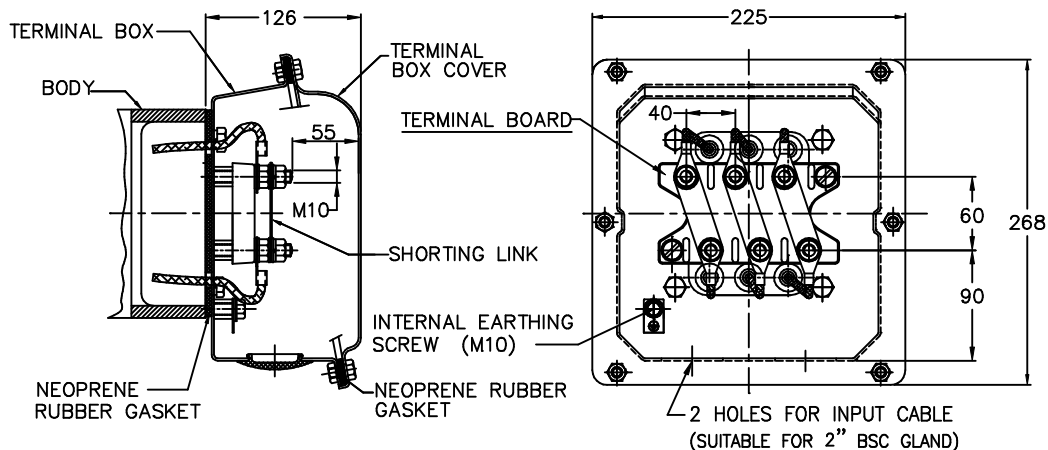
- NOTE :**
1. DIMENSIONS ARE AS PER IS:1231,2223
 2. DEGREE OF PROTECTION / COOLING: IP:55/IC:411.
 3. TERMINAL BOX CAN BE ROTATABLE THROUGH 360° IN STEPS OF 90°.
 4. KEY & KEYWAY ARE AS PER IS:2048 & TOLERANCE ON KEYWAY IS P9.
 5. PROTECTED CENTRE HOLE AT SHAFT EXTENSION AS PER IS:2540.-M20x40 deep.

4, 6 & 8	75	20	79.5	12
2	65	18	69	11
POLE	ØD	F	GA	GD



ALL INFORMATION CONTAINED IN THIS DOCUMENT IS CONFIDENTIAL AND THE PROPERTY OF KIRLOSKAR ELECTRIC CO. LTD. REPRODUCTION OF THESE IN ANY FORM IS TO BE DONE WITH THE SPECIFIC PERMISSION OF THE COMPANY.

TERMINAL BOX ARRANGEMENT



- NOTE:** -1. MINIMUM ELECTRICAL CLEARANCE AND CREEPAGE DISTANCES ARE AS PER BS:4999, PART-145.
MAX. CABLE SIZE : MAIN- 2 x 3.5C x 185 sq.mm, AYFY

SIGN & DATE

FROM dt.

DRAWING No.
REV. ZONE BRIEF RECORD SIGNATURE DATE PRINTS ISSUED TO.

ITEM/TAG No.			
RATING			PROJECT :
CABLE SIZE			CONSULTANT
		JOB No.	

CUSTOMER / O/A No.	SCALE NTS	DRAWN SPC 18.6.2016	
USED ON / TYPE VRC280SM (SHEET METAL T.BOX WITHOUT GLAND, DOUBLE ENTRY)		CHECKED Vishnu.S.H 18.6.2016	
TITLE: DIMENSION SHEET		APPROVED RNV 18.6.2016	
		DRG. NO. KHD61334	
		SHEET NO.....ONE..... OF.....ONE.....	