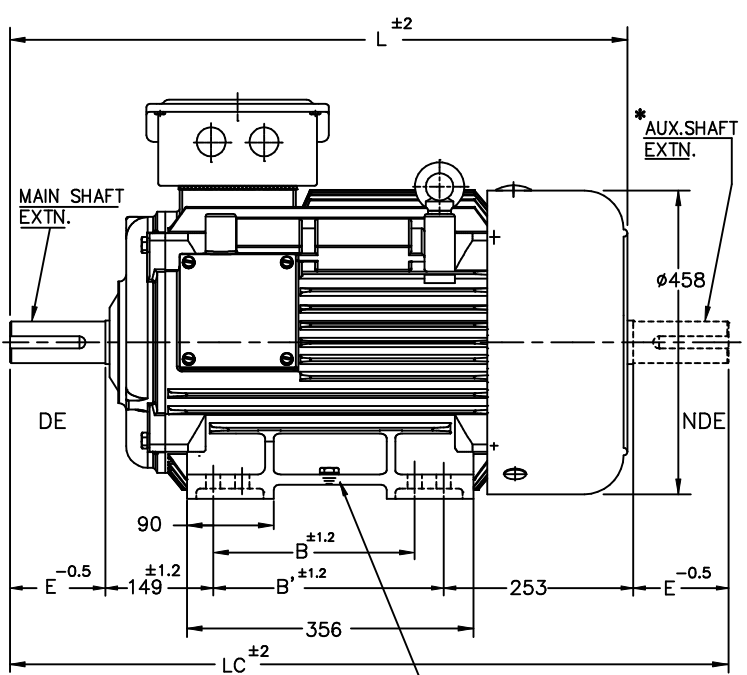
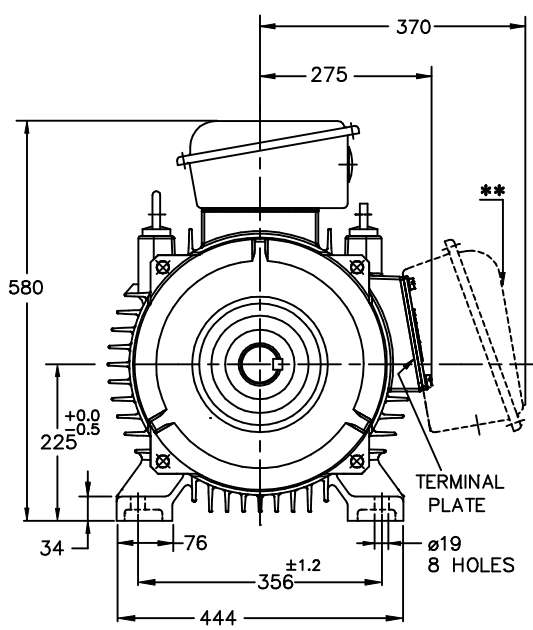


IF IN DOUBT ASK
ENGINEERING



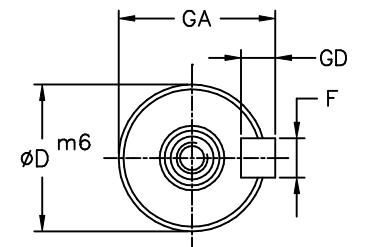
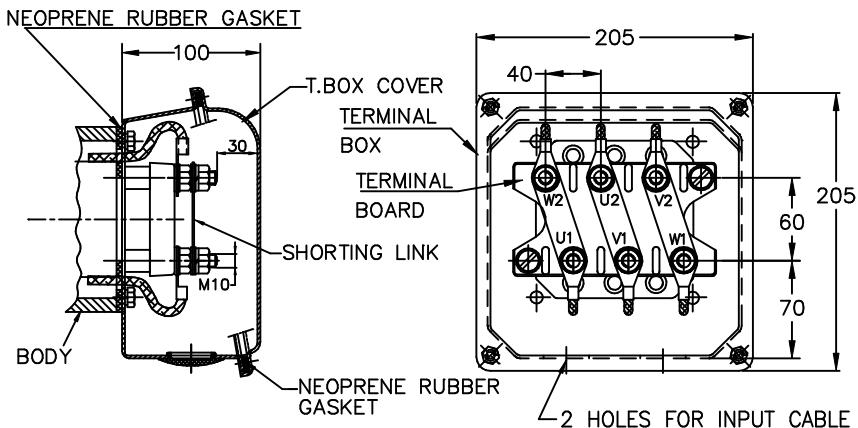
NOTE :

1. DIMENSIONS ARE AS PER IS:1231
2. DEGREE OF PROTECTION: IP: 55.
3. TERMINAL BOX CAN BE ROTATABLE THROUGH 360° IN STEPS OF 90°.
4. KEY & KEYWAY ARE AS PER IS:2048 & TOLERANCE ON KEYWAY IS P9.
5. PROTECTED CENTRE HOLE AT SHAFT EXTENSION AS PER IS:2540.-M20x40
6. * OPTIONAL IN CASE OF DOUBLE SHAFT EXTENSION
7. **OPTIONAL IN CASE OF RHS
8. UNLESS OTHERWISE SPECIFIED TERMINAL BOX LOCATION WILL BE ON TOP SIDE WITH SINGLE SHAFT EXTENSION

M10 EARTHING SCREWS
2Nos., 1No. PER SIDE

4, 6, 8	286	311	60	64	11	18	140	855	993
2			55	59	10	16	110	825	933
POLE	B	B'	∅D	GA	GD	F	E	L	LC

TERMINAL BOX ARRANGEMENT



DETAILS OF SHAFT EXTENSION
MAIN & AUXILIARY

NOTE: MAX. CABLE SIZE : MAIN-2x3Cx70 sqmm.
SHORTING LINKS ARE PROVIDED ONLY FOR DOL START

SIGN & DATE.

FROM dt.

DRAWING No.

THIS SUPERSEDES
THIS IS SUPERSEDED BY

ITEM/TAG No.		PROJECT :	
RATING		CONSULTANT	
CABLE SIZE		JOB No.	

REV.	ZONE	BRIEF RECORD	SIGNATURE	DATE	PRINTS ISSUED TO.
------	------	--------------	-----------	------	-------------------

CUSTOMER / O/A No.	SCALE NTS	DRAWN	SPC	14.6.2016
USED ON / TYPE RC225SM (SHEET METAL T.BOX WITHOUT GLAND, DOUBLE ENTRY)		CHECKED	Vishnu.S.H	14.6.2016
TITLE: DIMENSION SHEET		APPROVED	RNV	14.6.2016

DRG. No.	KHD61140
SHEET NO.....ONE..... OF.....ONE.....	