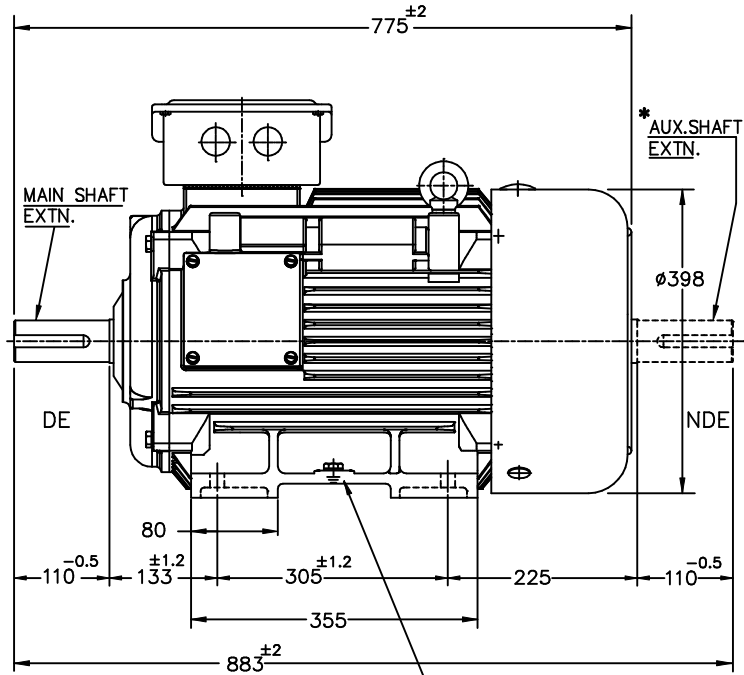
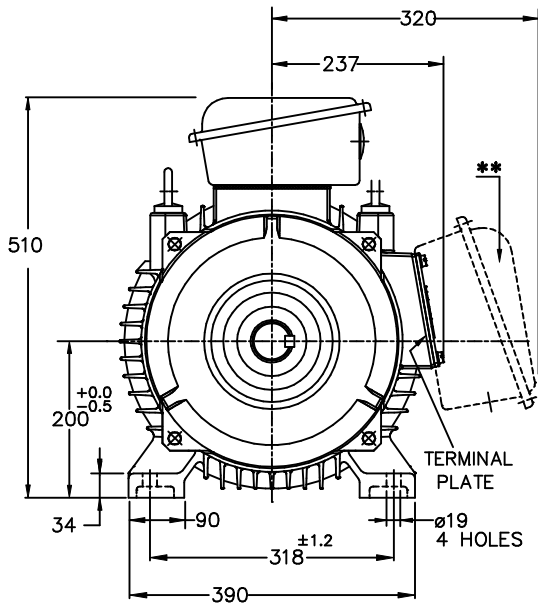


IF IN DOUBT ASK
ENGINEERING

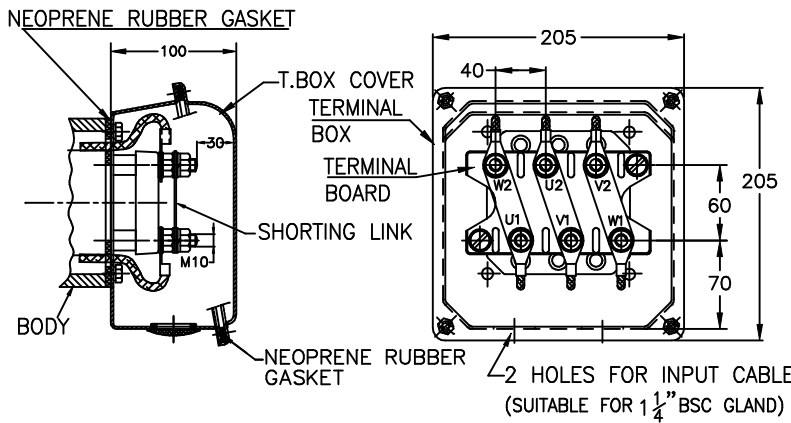


NOTE :

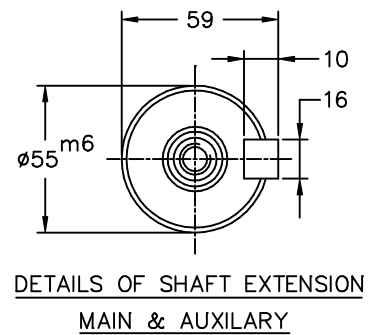
1. DIMENSIONS ARE AS PER IS:1231
2. DEGREE OF PROTECTION: IP:55.
3. TERMINAL BOX CAN BE ROTATABLE THROUGH 360° IN STEPS OF 90°.
4. KEY & KEYWAY ARE AS PER IS:2048 & TOLERANCE ON KEYWAY IS P9.
5. PROTECTED CENTRE HOLE AT SHAFT EXTENSION AS PER IS:2540.-M20X40
6. * OPTIONAL IN CASE OF DOUBLE SHAFT EXTENSION
7. **OPTIONAL IN CASE OF RHS
8. UNLESS OTHERWISE SPECIFIED TERMINAL BOX LOCATION WILL BE ON TOP SIDE WITH SINGLE SHAFT EXTENSION

M10 EARTHING SCREWS
2Nos., 1No. PER SIDE

TERMINAL BOX ARRANGEMENT



NOTE: MAX. CABLE SIZE : MAIN-2x3Cx70 sqmm.
SHORTING LINKS ARE PROVIDED ONLY FOR DOL START



ALL INFORMATION CONTAINED IN THIS DOCUMENT IS CONFIDENTIAL AND THE PROPERTY OF KIRLOSKAR ELECTRIC CO. LTD. REPRODUCTION OF THESE IN ANY FORM IS TO BE DONE WITH THE SPECIFIC PERMISSION OF THE COMPANY.

SIGN & DATE.

FROM dt.

DRAWING No.

THIS SUPERSEDES THIS IS SUPERSEDED BY

ITEM/TAG No.		PROJECT :	
RATING		CONSULTANT	
CABLE SIZE		JOB No.	

REV.	ZONE	BRIEF RECORD	SIGNATURE	DATE	PRINTS ISSUED TO.
------	------	--------------	-----------	------	-------------------

CUSTOMER / O/A No.	SCALE	DRAWN	SPC	16.10.15
USED ON / TYPE	NTS	CHECKED	Vishnu.S.H	16.10.15
		APPROVED	RNV	16.10.15

TITLE:	DRG. NO.	16.10.15
DIMENSION SHEET	KHD61139	
	SHEET NO.....ONE..... OF.....ONE.....	