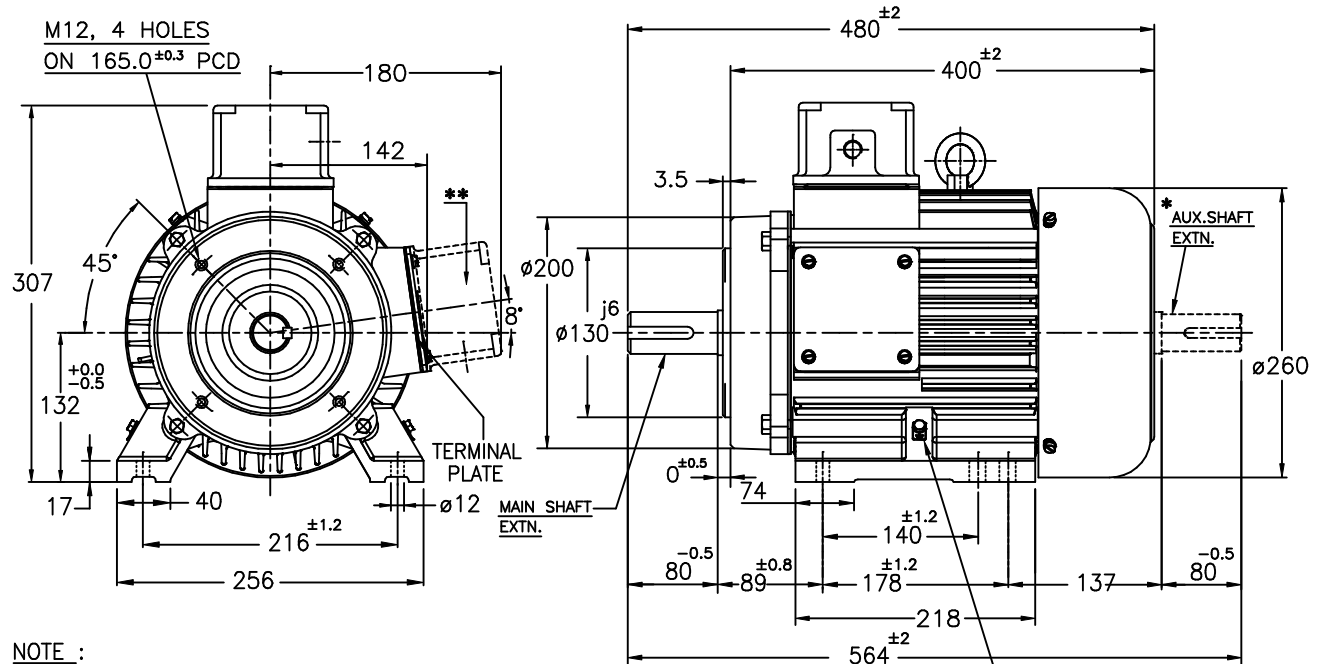


4 3 2 1
DO NOT SCALE THE DRAWING ALL DIMENSIONS ARE IN mm UNLESS OTHERWISE STATED

IF IN DOUBT ASK
ENGINEERING

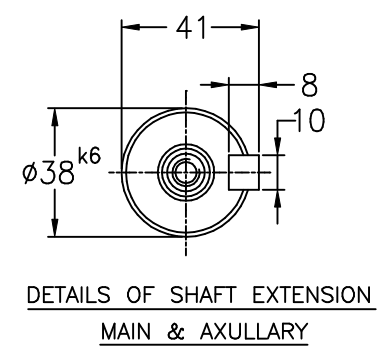
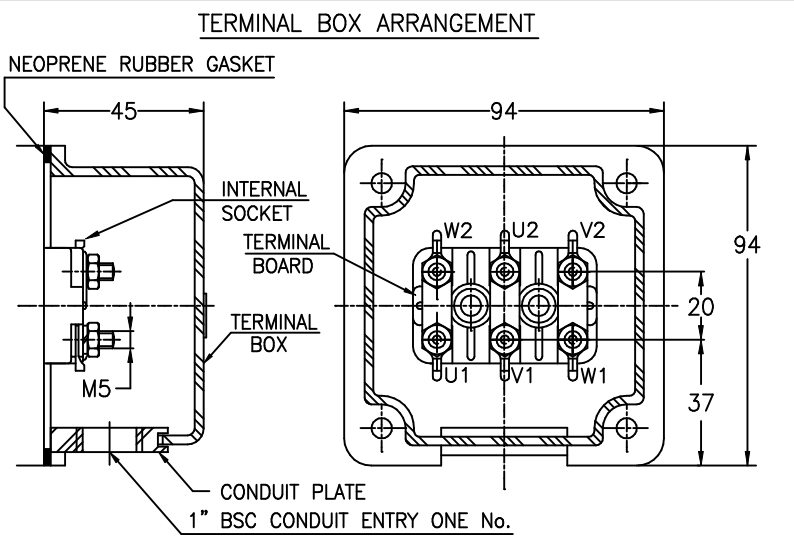


NOTE :

1. DIMENSIONS ARE AS PER IS:1231 & 2223
2. DEGREE OF PROTECTION: IP:55.
3. TERMINAL BOX CAN BE ROTATABLE THROUGH 360° IN STEPS OF 90°.
4. KEY & KEYWAY ARE AS PER IS:2048 & TOLERANCE ON KEYWAY IS P9.
5. PROTECTED CENTRE HOLE AT SHAFT EXTENSION AS PER IS:2540.-M12X28
6. * OPTIONAL IN CASE OF DOUBLE SHAFT EXTENSION
7. ** OPTIONAL IN CASE OF RHS
8. UNLESS OTHERWISE SPECIFIED TERMINAL BOX LOCATION WILL BE ON TOP SIDE WITH SINGLE SHAFT EXTENSION

M6 EARTHING SCREWS
2Nos., 1No. PER SIDE

ALL INFORMATION CONTAINED IN THIS DOCUMENT IS CONFIDENTIAL AND THE PROPERTY OF KIRLOSKAR ELECTRIC CO. LTD. REPRODUCTION OF THESE IN ANY FORM IS TO BE DONE WITH THE SPECIFIC PERMISSION OF THE COMPANY.



NOTE: MAX. CABLE SIZE : MAIN-1x3Cx16 sqmm.

SIGN & DATE. FROM dt. DRAWING No. REV. ZONE BRIEF RECORD SIGNATURE DATE PRINTS ISSUED TO. CUSTOMER / O/A No. SCALE NTS DRAWN SPC 5.7.2016 CHECKED Vishnu.S.H 5.7.2016 APPROVED RNV 5.7.2016 DRG. NO. KHD61128 SHEET NO. ONE OF ONE

| | | | |
|--------------|------------|--|---------|
| ITEM/TAG No. | | | |
| RATING | PROJECT : | | |
| CABLE SIZE | CONSULTANT | | JOB No. |
| | | | |

| | | | |
|---|--------------|-----------------------------------|--|
| CUSTOMER / O/A No. | SCALE NTS | DRAWN SPC 5.7.2016 | |
| USED ON / TYPE FCRC132SM (NYLON TERMINAL BOX) | | CHECKED Vishnu.S.H 5.7.2016 | |
| TITLE: DIMENSION SHEET | | APPROVED RNV 5.7.2016 | |
| | | DRG. NO. KHD61128 | |
| | | SHEET NO. ONE OF ONE | |