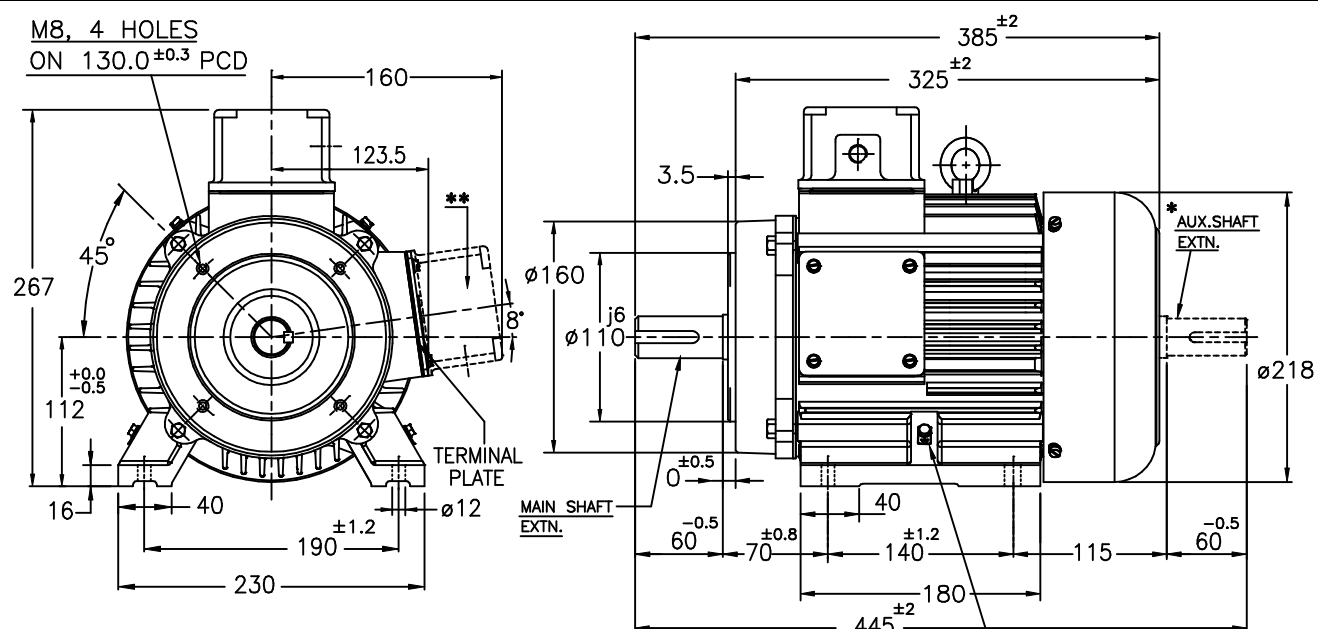
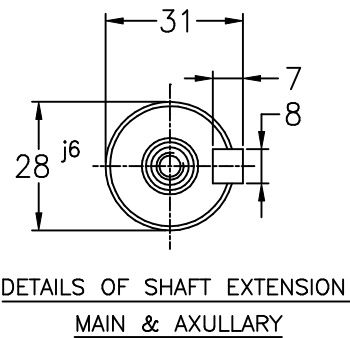
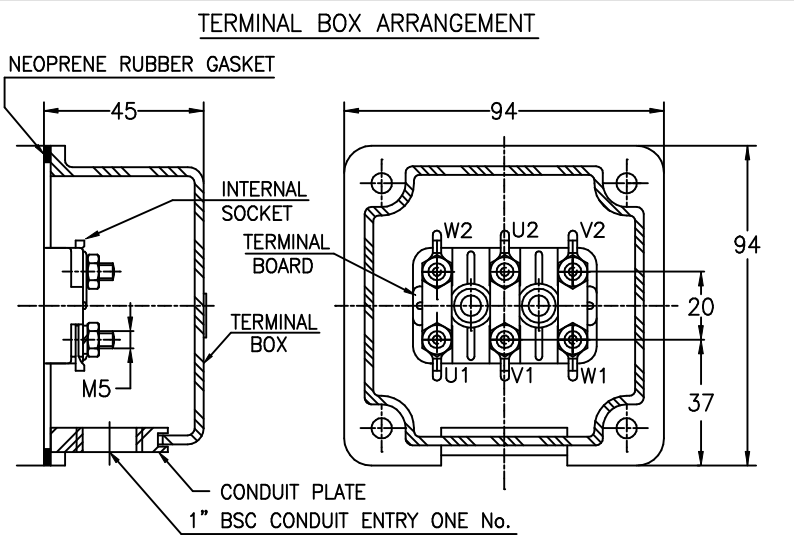


4 3 2 1  
DO NOT SCALE THE DRAWING ALL DIMENSIONS ARE IN mm UNLESS OTHERWISE STATED



**NOTE :**  
 1. DIMENSIONS ARE AS PER IS:1231  
 2. DEGREE OF PROTECTION: IP:55.  
 3. TERMINAL BOX CAN BE ROTATABLE THROUGH 360° IN STEPS OF 90°.  
 4. KEY & KEYWAY ARE AS PER IS:2048 & TOLERANCE ON KEYWAY IS P9.  
 5. PROTECTED CENTRE HOLE AT SHAFT EXTENSION AS PER IS:2540.-M10X24  
 6. \* OPTIONAL IN CASE OF DOUBLE SHAFT EXTENSION  
 7. \*\* OPTIONAL IN CASE OF RHS  
 8. UNLESS OTHERWISE SPECIFIED TERMINAL BOX LOCATION WILL BE ON TOP SIDE WITH SINGLE SHAFT EXTENSION



NOTE: MAX. CABLE SIZE : MAIN-1x3Cx16 sqmm.

IF IN DOUBT ASK ENGINEERING

ALL INFORMATION CONTAINED IN THIS DOCUMENT IS CONFIDENTIAL AND THE PROPERTY OF KIRLOSKAR ELECTRIC CO. LTD. REPRODUCTION OF THESE IN ANY FORM IS TO BE DONE WITH THE SPECIFIC PERMISSION OF THE COMPANY.

SIGN & DATE

FROM dt.

DRAWING No.

REV. ZONE

CUSTOMER / O/A No.

USED ON / TYPE

TITLE:

THIS SUPERSEDES THIS IS SUPERSEDED BY

ITEM/TAG No.			
RATING	PROJECT :		
CABLE SIZE	CONSULTANT		JOB No.
BRIEF RECORD			
SIGNATURE		DATE	PRINTS ISSUED TO.

CUSTOMER / O/A No.	SCALE NTS	DRAWN SPC A.7.2016	
USED ON / TYPE FCRC112M (NYLON TERMINAL BOX)		CHECKED Vishnu.S.H A.7.2016	
TITLE: DIMENSION SHEET		APPROVED RNV A.7.2016	
		DRG. NO. KHD61127	
SHEET NO.....ONE..... OF.....ONE.....			