

**NOTE :**

1. DIMENSIONS ARE AS PER IS:1231 & 2223
2. DEGREE OF PROTECTION: IP:55.
3. TERMINAL BOX CAN BE ROTATABLE THROUGH 360° IN STEPS OF 90°.
4. KEY & KEYWAY ARE AS PER IS:2048 & TOLERANCE ON KEYWAY IS P9.
5. PROTECTED CENTRE HOLE AT SHAFT EXTENSION AS PER IS:2540.-M6X16
6. \* OPTIONAL IN CASE OF DOUBLE SHAFT EXTENSION
7. \*\* OPTIONAL IN CASE OF RHS
8. UNLESS OTHERWISE SPECIFIED TERMINAL BOX LOCATION WILL BE ON TOP SIDE WITH SINGLE SHAFT EXTENSION

M6 EARTHING SCREWS  
2Nos., 1No. PER SIDE

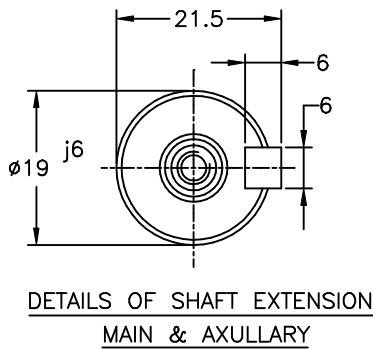
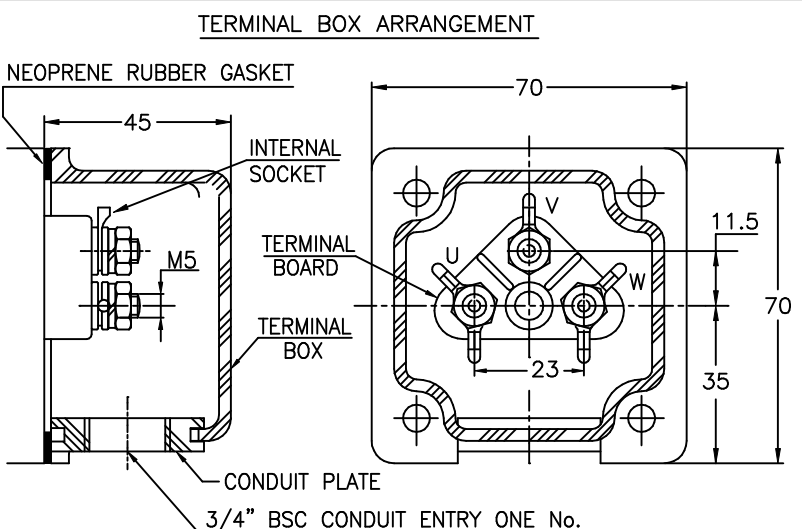
ALL INFORMATION CONTAINED IN THIS DOCUMENT IS CONFIDENTIAL AND THE PROPERTY OF KIRLOSKAR ELECTRIC CO. LTD. REPRODUCTION OF THESE IN ANY FORM IS TO BE DONE WITH THE SPECIFIC PERMISSION OF THE COMPANY.

SIGN & DATE.

FROM dt.

DRAWING No.

THIS SUPERSEDES THIS IS SUPERSEDED BY



NOTE: MAX. CABLE SIZE : MAIN-1x3Cx6 sqmm.

ITEM/TAG No.			
RATING		PROJECT :	
CABLE SIZE		CONSULTANT	JOB No.

REV.	ZONE	BRIEF RECORD	SIGNATURE	DATE	PRINTS ISSUED TO.
CUSTOMER / O/A No.		SCALE	DRAWN	SPC	2.7.2016
USED ON / TYPE		NTS	CHECKED	Vishnu.S.H	2.7.2016
TITLE:			APPROVED	RNV	2.7.2016
DIMENSION SHEET		DRG. NO.		KHD61124	
		SHEET NO.....ONE.....		OF.....ONE.....	

