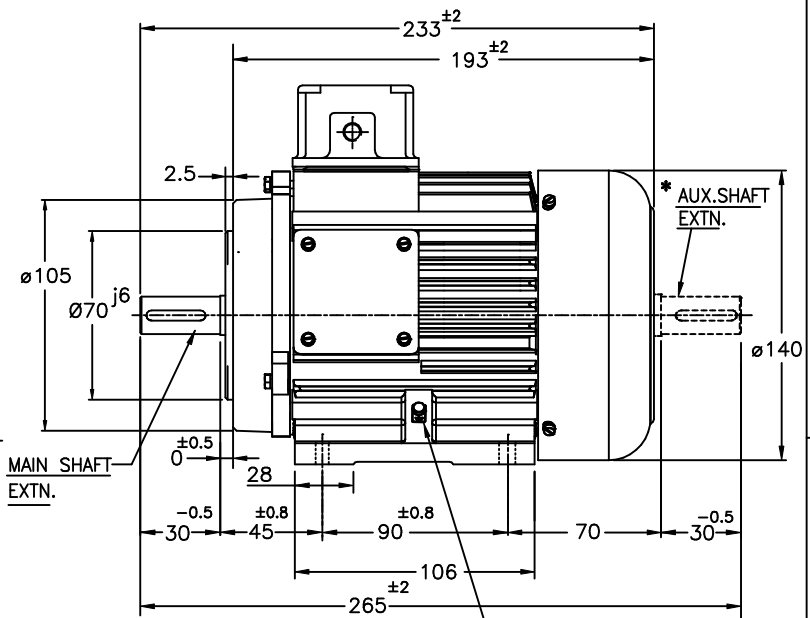
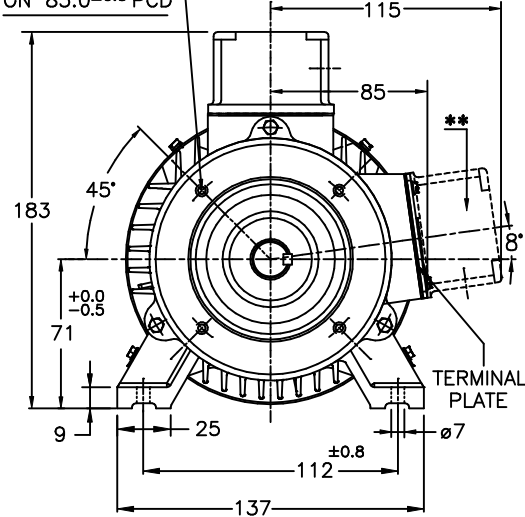


4 3 2 1  
DO NOT SCALE THE DRAWING ALL DIMENSIONS ARE IN mm UNLESS OTHERWISE STATED

M6, 4 HOLES  
ON 85.0±0.3 PCD



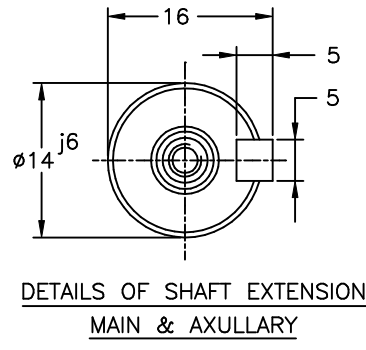
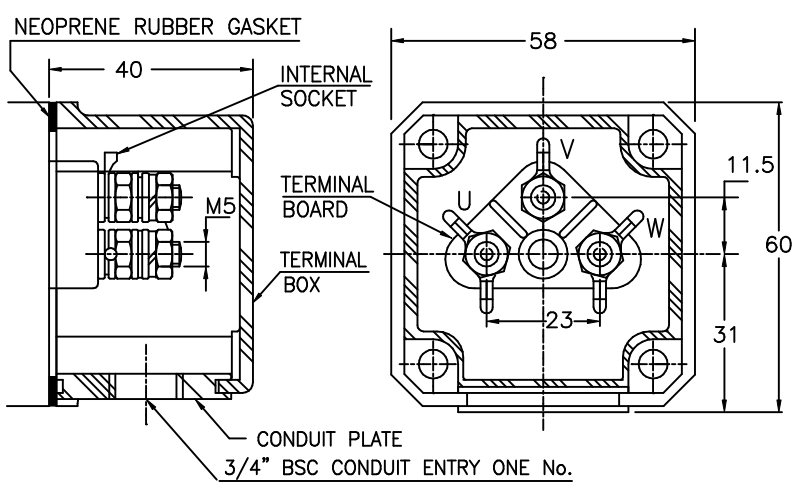
NOTE :

1. DIMENSIONS ARE AS PER IS:1231 & 2223
2. DEGREE OF PROTECTION: IP:55.
3. TERMINAL BOX CAN BE ROTATABLE THROUGH 360° IN STEPS OF 90°.
4. KEY & KEYWAY ARE AS PER IS:2048 & TOLERANCE ON KEYWAY IS P9.
5. PROTECTED CENTRE HOLE AT SHAFT EXTENSION AS PER IS:2540.-M5X12
6. \* OPTIONAL IN CASE OF DOUBLE SHAFT EXTENSION
7. \*\* OPTIONAL IN CASE OF RHS
8. UNLESS OTHERWISE SPECIFIED TERMINAL BOX LOCATION WILL BE ON TOP SIDE WITH SINGLE SHAFT EXTENSION

M6 EARTHING SCREWS  
2Nos., 1No. PER SIDE

ALL INFORMATION CONTAINED IN THIS DOCUMENT IS CONFIDENTIAL AND THE PROPERTY OF KIRLOSKAR ELECTRIC CO. LTD. REPRODUCTION OF THESE IN ANY FORM IS TO BE DONE WITH THE SPECIFIC PERMISSION OF THE COMPANY.

TERMINAL BOX ARRANGEMENT



NOTE: MAX. CABLE SIZE : MAIN-1x3Cx4 sqmm.

SIGN & DATE.	---		---		
	FROM dt.	---	---	---	
DRAWING No.	ITEM/TAG No.			PROJECT :	
	RATING			CONSULTANT	JOB No.
REV.	CABLE SIZE				
	ZONE				
THIS SUPERSEDES	BRIEF RECORD		SIGNATURE		DATE
	CUSTOMER / O/A No.	SCALE		DRAWN	SPC
THIS IS SUPERSEDED BY	USED ON / TYPE	FCRC71 (NYLON TERMINAL BOX)		CHECKED	Vishnu.S.H
	TITLE:	DIMENSION SHEET		APPROVED	RNV
				DRG. NO.	KHD61123
				SHEET NO.....ONE..... OF.....ONE.....	