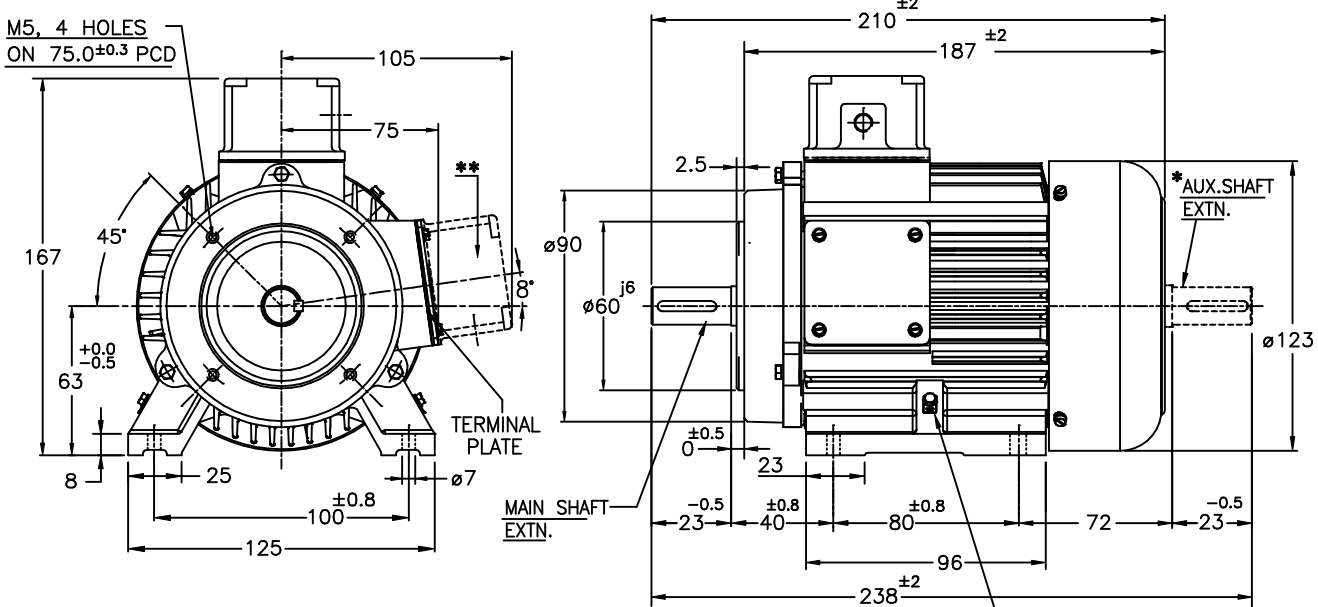


4 3 2 1
DO NOT SCALE THE DRAWING ALL DIMENSIONS ARE IN mm UNLESS OTHERWISE STATED

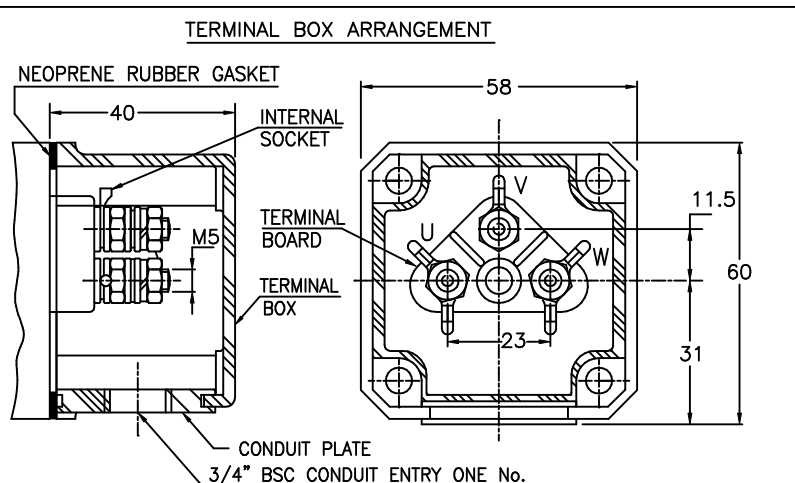
IF IN DOUBT ASK
ENGINEERING



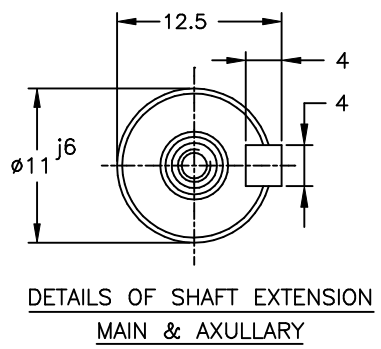
- NOTE :
1. DIMENSIONS ARE AS PER IS:1231 & 2223
 2. DEGREE OF PROTECTION: IP:55.
 3. TERMINAL BOX CAN BE ROTATABLE THROUGH 360° IN STEPS OF 90°.
 4. KEY & KEYWAY ARE AS PER IS:2048 & TOLERANCE ON KEYWAY IS P9.
 5. PROTECTED CENTRE HOLE AT SHAFT EXTENSION AS PER IS:2540.-M4X16
 6. * OPTIONAL IN CASE OF DOUBLE SHAFT EXTENSION
 7. ** OPTIONAL IN CASE OF RHS
 8. UNLESS OTHERWISE SPECIFIED TERMINAL BOX LOCATION WILL BE ON TOP SIDE WITH SINGLE SHAFT EXTENSION

M6 EARTHING SCREWS
2Nos., 1No. PER SIDE

ALL INFORMATION CONTAINED IN THIS DOCUMENT IS CONFIDENTIAL AND THE PROPERTY OF KIRLOSKAR ELECTRIC CO. LTD. REPRODUCTION OF THESE IN ANY FORM IS TO BE DONE WITH THE SPECIFIC PERMISSION OF THE COMPANY.



NOTE: MAX. CABLE SIZE : MAIN-1x3Cx4 sqmm.



DETAILS OF SHAFT EXTENSION
MAIN & AXULLARY

SIGN & DATE.

FROM dt.

DRAWING No.
REV. ZONE
THIS SUPERSEDES
THIS IS SUPERSEDED BY

ITEM/TAG No.		PROJECT :	
RATING		CONSULTANT	
CABLE SIZE		JOB No.	

CUSTOMER / O/A No.	SCALE NTS	DRAWN SPC 2.7.2016	SIGNATURE	DATE	PRINTS ISSUED TO.
USED ON / TYPE FCRC63 (NYLON TERMINAL BOX)		CHECKED Vishnu.S.H 2.7.2016	APPROVED RNV 2.7.2016		
TITLE: DIMENSION SHEET		DRG. NO. KHD61122			
SHEET NO.....ONE..... OF.....ONE.....					