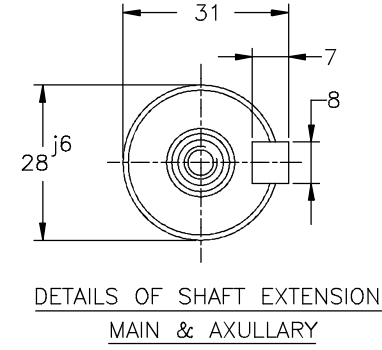
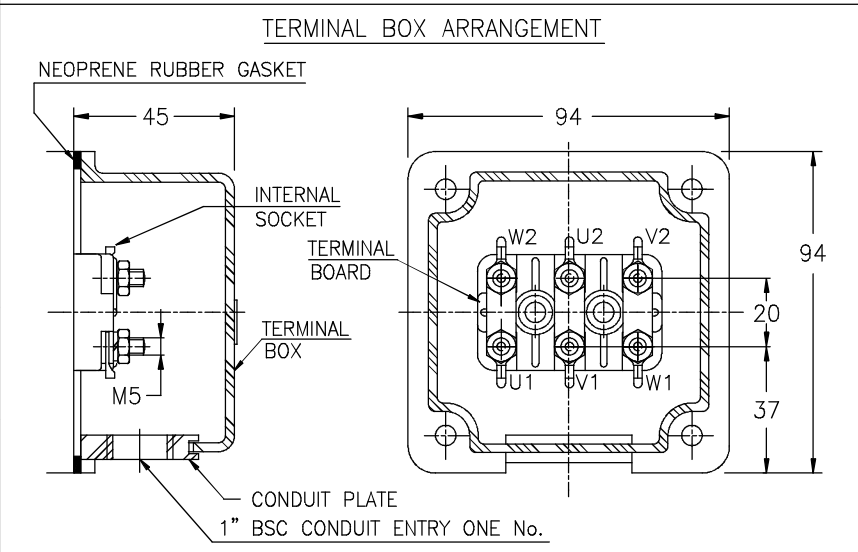


- NOTE :
1. DIMENSIONS ARE AS PER IS:1231 & 2223
 2. DEGREE OF PROTECTION: IP:55.
 3. TERMINAL BOX CAN BE ROTATABLE THROUGH 360° IN STEPS OF 90°.
 4. KEY & KEYWAY ARE AS PER IS:2048 & TOLERANCE ON KEYWAY IS P9.
 5. PROTECTED CENTRE HOLE AT SHAFT EXTENSION AS PER IS:2540.-M10X24
 6. * OPTIONAL IN CASE OF DOUBLE SHAFT EXTENSION
 7. ** OPTIONAL IN CASE OF RHS
 8. UNLESS OTHERWISE SPECIFIED TERMINAL BOX LOCATION WILL BE ON TOP SIDE WITH SINGLE SHAFT EXTENSION



NOTE: MAX. CABLE SIZE : MAIN-1x3Cx16 sqmm.

SIGN & DATE.	--	--
FROM dt.	--	--
DRAWING No.	--	--
THIS SUPERSEDES	THIS IS SUPERSEDED BY	
ITEM/TAG No.		
RATING	PROJECT :	
CABLE SIZE	CONSULTANT	JOB No.
REV.	ZONE	BRIEF RECORD
CUSTOMER / O/A No.	SCALE	SIGNATURE
USED ON / TYPE	NTS	DATE
TITLE:	PRINTS ISSUED TO.	
	DRAWN Karthik.H 25.01.16 CHECKED Vishnu.S.H 25.01.16 APPROVED RNV 25.01.16	
	DRG. NO. KHD61111	
	SHEET NO.....ONE..... OF.....ONE.....	
KIRLOSKAR ELECTRIC COMPANY LTD. HUBLI - 580 030 (INDIA)		