

ALL INFORMATION CONTAINED IN THIS DOCUMENT IS CONFIDENTIAL AND THE PROPERTY OF KIRLOSKAR ELECTRIC CO. LTD. REPRODUCTION OF THESE IN ANY FORM IS TO BE DONE WITH THE SPECIFIC PERMISSION OF THE COMPANY.

1. DIMENSIONS ARE AS PER IS:1231 & 2223

2. DEGREE OF PROTECTION: IP:55.

3. TERMINAL BOX CAN BE ROTATABLE THROUGH 360° IN STEPS OF 90°.

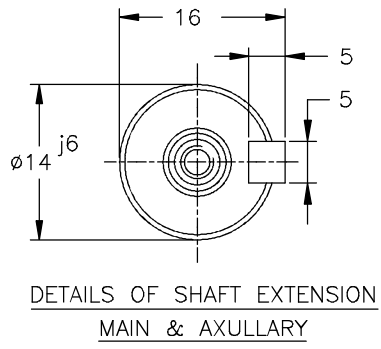
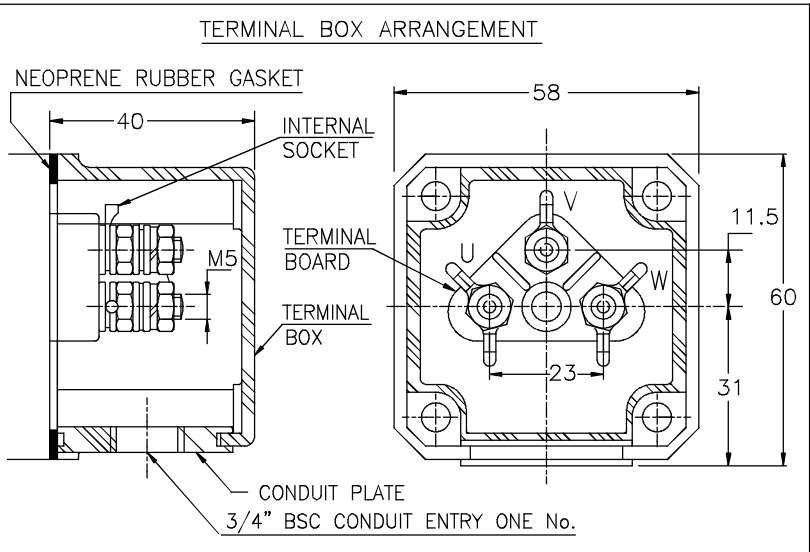
4. KEY & KEYWAY ARE AS PER IS:2048 & TOLERANCE ON KEYWAY IS P9.

5. PROTECTED CENTRE HOLE AT SHAFT EXTENSION AS PER IS:2540.-M5X12

6. * OPTIONAL IN CASE OF DOUBLE SHAFT EXTENSION

7. ** OPTIONAL IN CASE OF RHS

8. UNLESS OTHERWISE SPECIFIED TERMINAL BOX LOCATION WILL BE ON TOP SIDE WITH SINGLE SHAFT EXTENSION



NOTE: MAX. CABLE SIZE : MAIN-1x3Cx4 sqmm.

| | | | | | | | | |
|---------------------------------------|--------------------|------|-----------------------------|------------|---------------------------------------|------------|-----------|-------------------|
| SIGN & DATE. | -- | -- | ITEM/TAG No. | | | | | |
| | -- | -- | | RATING | PROJECT : | | | |
| DRAWING No. | -- | -- | CABLE SIZE | CONSULTANT | JOB No. | | | |
| | | | | | | | | |
| THIS SUPERSEDES THIS IS SUPERSEDED BY | REV. | ZONE | BRIEF RECORD | | | SIGNATURE | DATE | PRINTS ISSUED TO. |
| | CUSTOMER / O/A No. | | | SCALE | | DRAWN | Karthik.H | 10.02.16 |
| USED ON / TYPE | | | FBRC71 (NYLON TERMINAL BOX) | | CHECKED | Vishnu.S.H | 10.02.16 | |
| TITLE: | | | DIMENSION SHEET | | APPROVED | RNV | 10.02.16 | |
| | | | | | DRG. NO. | | KHD61107 | |
| | | | | | SHEET NO.....ONE..... OF.....ONE..... | | | |