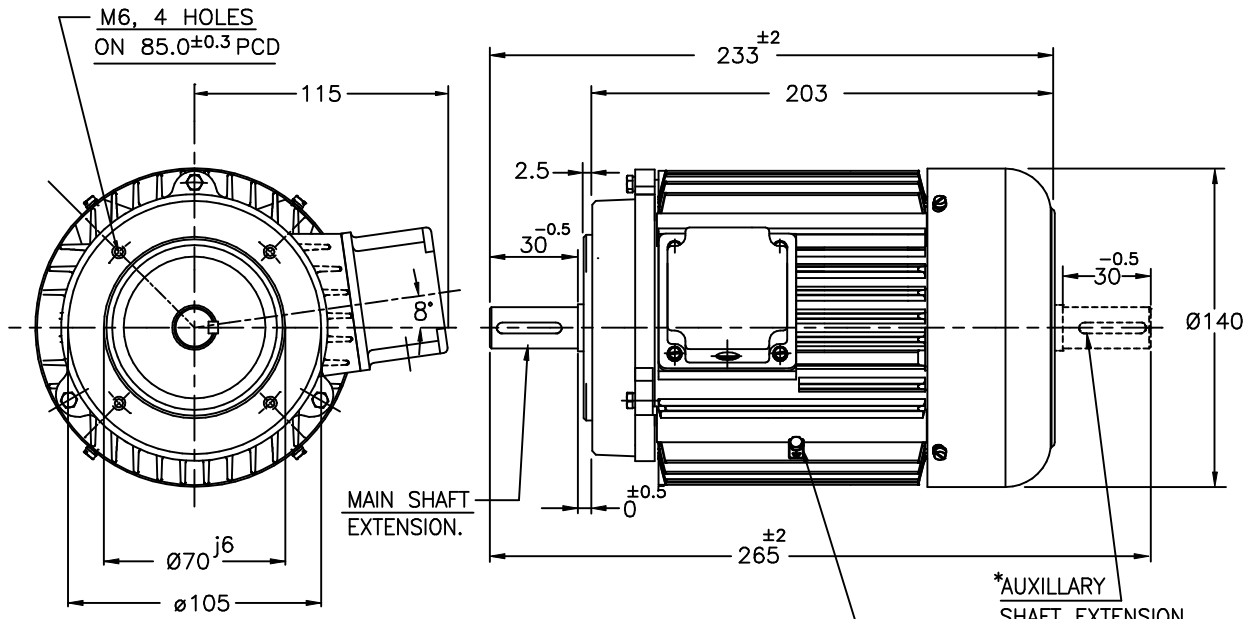


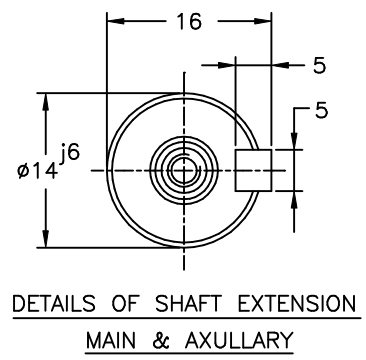
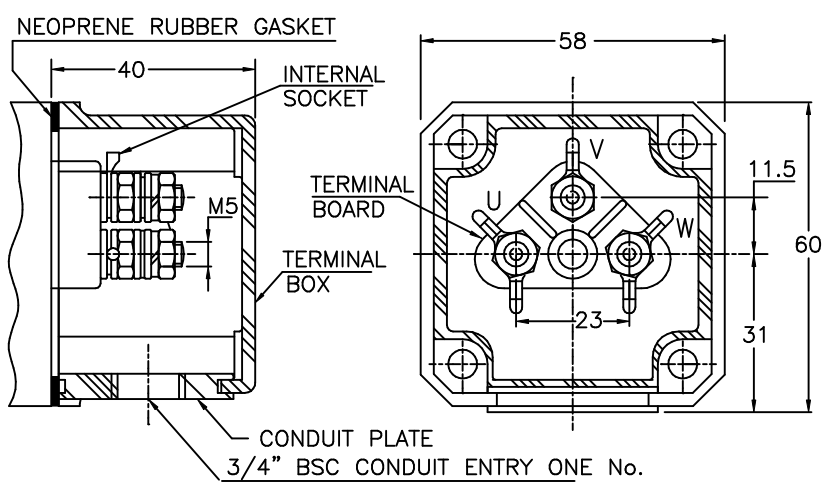
IF IN DOUBT ASK
ENGINEERING



NOTE :

1. DIMENSIONS ARE AS PER IS:1231 & 2223
2. DEGREE OF PROTECTION: IP:55.
3. TERMINAL BOX CAN BE ROTATABLE THROUGH 360° IN STEPS OF 90°.
4. KEY & KEYWAY ARE AS PER IS:2048 & TOLERANCE ON KEYWAY IS P9.
5. PROTECTED CENTRE HOLE AT SHAFT EXTENSION AS PER IS:2540.-M5X12
6. *OPTIONAL IN CASE OF DOUBLE SHAFT EXTENSION
7. UNLESS OTHERWISE SPECIFIED MOTOR WILL BE WITH SINGLE SHAFT EXTENSION

TERMINAL BOX ARRANGEMENT



NOTE: MAX. CABLE SIZE : MAIN-1x3Cx4 sqmm.

SIGN & DATE. FROM dt. DRAWING No. REV. ZONE
THIS SUPERSEDES THIS IS SUPERSEDED BY

ITEM/TAG No.			
RATING	PROJECT :		
CABLE SIZE	CONSULTANT		JOB No.
REV.	ZONE	BRIEF RECORD	SIGNATURE DATE PRINTS ISSUED TO.

CUSTOMER / O/A No.	SCALE NTS	DRAWN SPC 25.5.2016	
USED ON / TYPE CRC71 (NYLON TERMINAL BOX)		CHECKED Vishnu.S.H 25.5.2016	
TITLE: DIMENSION SHEET		APPROVED RNV 25.5.2016	
		DRG. NO. KHD61099	
SHEET NO.....ONE..... OF.....ONE.....			