

**NOTE :**

1. DIMENSIONS ARE AS PER IS:1231
2. DEGREE OF PROTECTION: IP:55.
3. TERMINAL BOX CAN BE ROTATABLE THROUGH 360° IN STEPS OF 90°.
4. KEY & KEYWAY ARE AS PER IS:2048 & TOLERANCE ON KEYWAY IS P9.
5. PROTECTED CENTRE HOLE AT SHAFT EXTENSION AS PER IS:2540.-M6X16
6. \* OPTIONAL IN CASE OF DOUBLE SHAFT EXTENSION
7. \*\* OPTIONAL IN CASE OF RHS
8. UNLESS OTHERWISE SPECIFIED TERMINAL BOX LOCATION WILL BE ON TOP SIDE WITH SINGLE SHAFT EXTENSION

M6 EARTHING SCREWS  
2Nos., 1No. PER SIDE

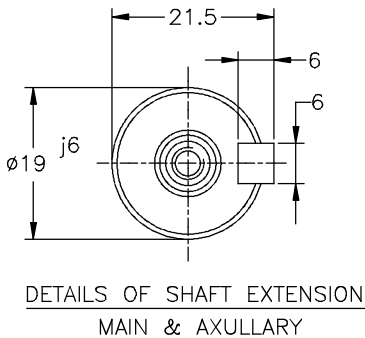
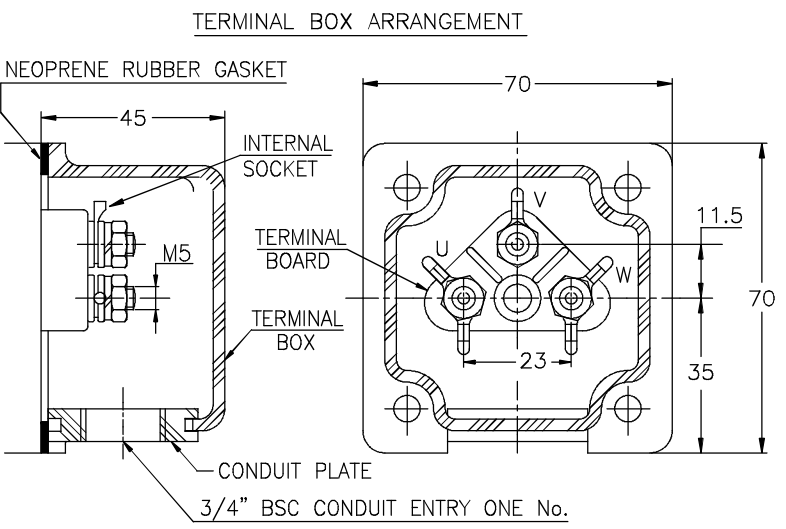
ALL INFORMATION CONTAINED IN THIS DOCUMENT IS CONFIDENTIAL AND THE PROPERTY OF KIRLOSKAR ELECTRIC CO. LTD. REPRODUCTION OF THESE IN ANY FORM IS TO BE DONE WITH THE SPECIFIC PERMISSION OF THE COMPANY.

SIGN & DATE.

FROM dt.

DRAWING No.

THIS SUPERSEDES THIS IS SUPERSEDED BY



NOTE: MAX. CABLE SIZE : MAIN-1x3Cx6 sqmm.

ITEM/TAG No.		PROJECT :	
RATING		CONSULTANT	
CABLE SIZE		JOB No.	
REV.	ZONE	BRIEF RECORD	SIGNATURE
CUSTOMER / O/A No.		SCALE	DATE
USED ON / TYPE		NTS	PRINTS ISSUED TO.
TITLE:		DRAWN Shankar.S.K 28.05.15	
DIMENSION SHEET		CHECKED Vishnu.S.H 28.05.15	
		APPROVED RNV 28.05.15	
		DRG. No. KHD61011	
		SHEET NO.....ONE..... OF.....ONE.....	