



Home Appliance Motors

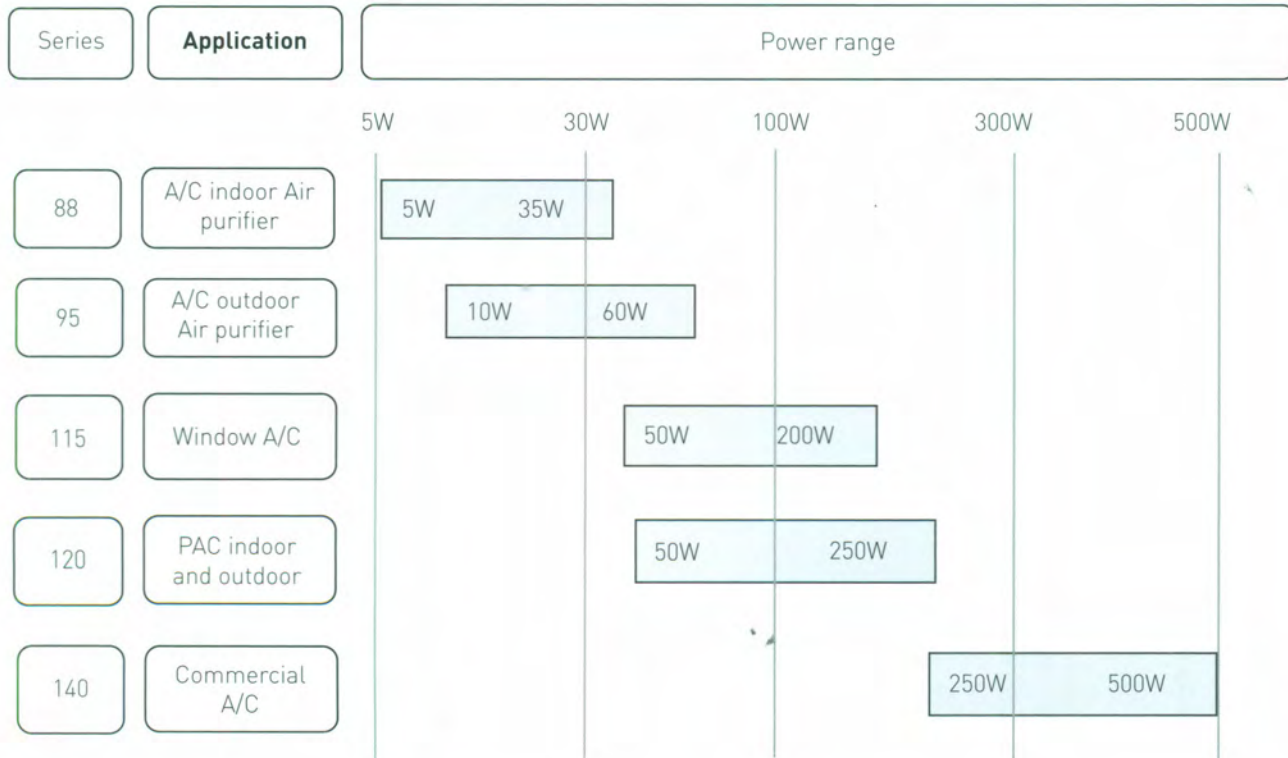
www.wolong-electric.com

WOLONG
Power your future

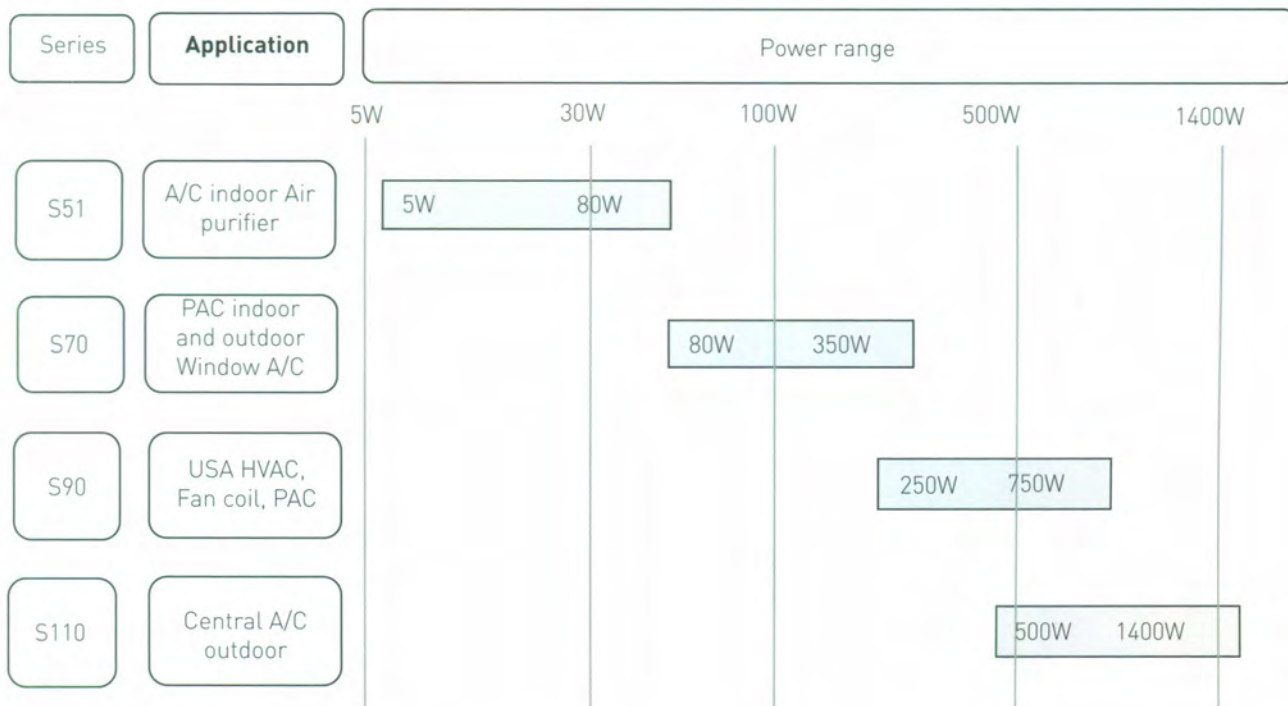
2

Air-conditioner motor AC series

Air-conditioner motor
AC series



Air-conditioner motor
DC series



88 series single phase asynchronous motor



Application

- Wall air – conditioner indoor unit fan
- Small air condition

Performance

- Voltage: 100-120V/208-240V
- Frequency: 50/60Hz
- Pole:4P

Feature

- Hall element pulse speed mode
- Continuous duty
- Class E insulation
- Small volume, light and low noise
- Accord with CCC standard
- IP20 protection level

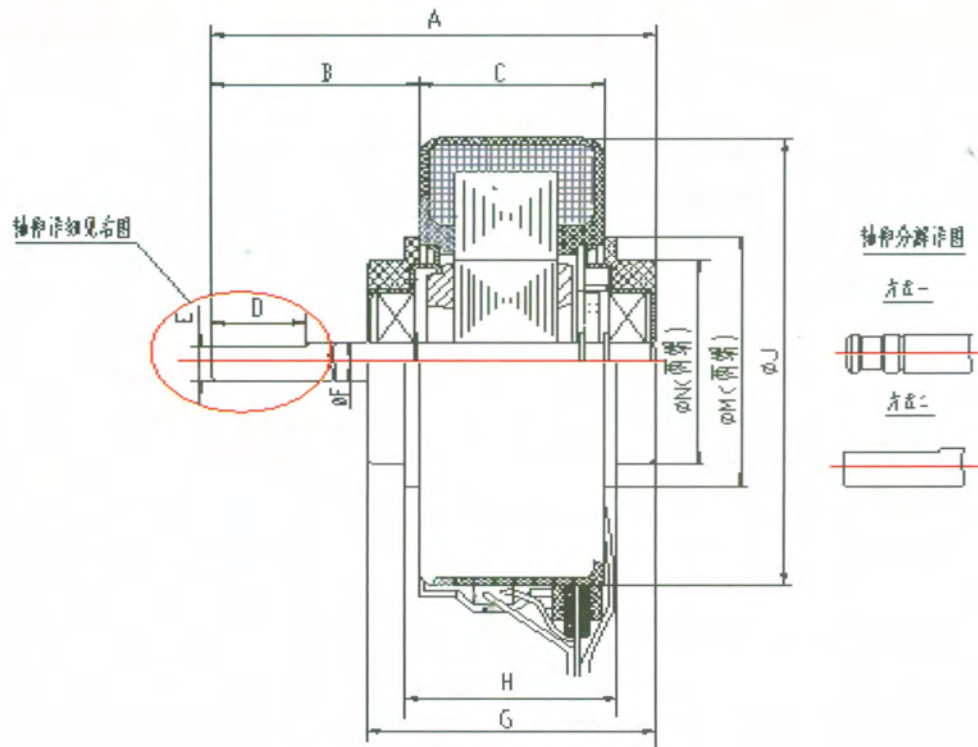
Major technical parameter

NO	Model	Vol (V)	Freq (Hz)	Cap (μF)	Power (W)	Speed (r/min)	AMPS (A)
1	KSFD Series	100-120V	50/60	2/3/4	10-30	700-1350	0.2-0.5
2	KSFD Series	220-240V	50/60	1.2/2	10-35	700-1350	0.15-0.35

4

Shape Dimension

The shape of motor and the dimensions of structure



dimension	A	B	C	D	E	ΦF	G	H	ΦJ	ΦM	ΦN
I	86-168	35-88	32	10-50	7	8	48-88	36-74	92	50	41-43
II	86-168	35-88	39	10-50	7	8	55-95	43-81	92	50	41-43
III	86-168	35-88	49	10-50	7	8	65-105	54-91	92	50	41-43

Note : The specific diameter can be adjusted as per customer's machine assembly.

95 series single phase asynchronous motor



Application

- Wall air – conditioner outdoor unit fan
- Small air condition
- Window air – conditioner fan

Performance

- Voltage: 100-120V/208-240V
- Frequency: 50/60Hz
- Pole: 4/6P

Feature

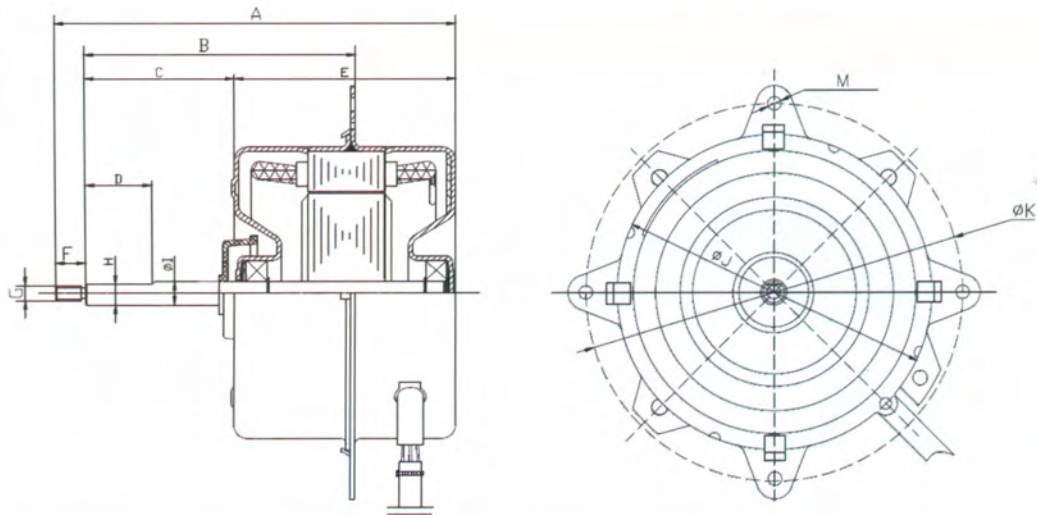
- Tap speed mode
- Continuous duty
- Class B insulation
- Low carbon environmental protection
- Accord with CCC standard
- IP44 protection level

Major technical parameter

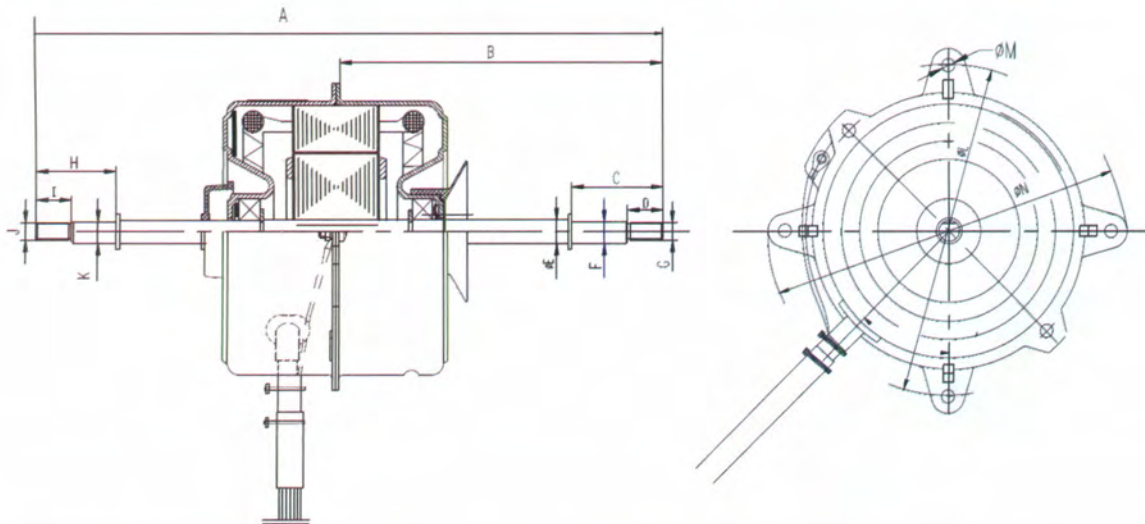
NO	Model	Vol (V)	Freq (Hz)	Cap (μF)	Power (W)	Speed (r/min)	AMPS (A)
1	KFD Series	100-120V	50/60	3-6	10-60	700-1300	0.2-1.0
2	KFD Series	220-240V	50/60	2-4	10-60	700-1300	0.2-0.7
3	KFD Series	100-120V	50/60	4/6/12	25-110	800-1630	0.4-1.9
4	KFD Series	220-240V	50/60	3/4/6/12	25-110	800-1630	0.2-1.2

6 Shape Dimension

The shape of motor and the dimensions of structure



dimension	A	B	C	D	E	F
Φ95	130-180	80-120	40-83	15-40	38-41	10-15
dimension	G	H	ΦI	ΦJ	ΦK	ΦM
Φ95	M4-M6	7	8	104-106	127	5.2



dimension	A	B	C	D	ΦE	F	G
Φ95	190-260	90-140	28-45	9-15	8	7	M5/M6
dimension	H	I	J	K	ΦL	ΦM	ΦN
Φ95	28-45	9-15	M5/M6	7	127	5	140

Note : The specific diameter can be adjusted as per customer's machine assembly.

120 series single phase asynchronous motor



Application

- Packaged air - conditioner indoor unit fan
- Packaged air - conditioner outdoor unit fan

Performance

- Voltage: 100-120V/208-240V
- Frequency: 50/60Hz
- Pole: 6/8P

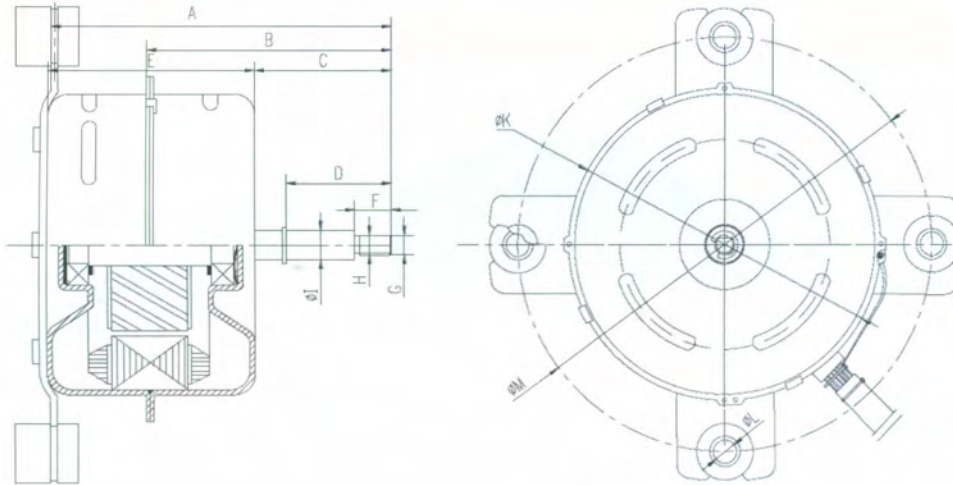
Feature

- Single speed or tap speed mode
- Continuous duty
- Class B insulation
- Small volume, light and low noise
- Accord with CCC standard
- IP20/IP44 protection level

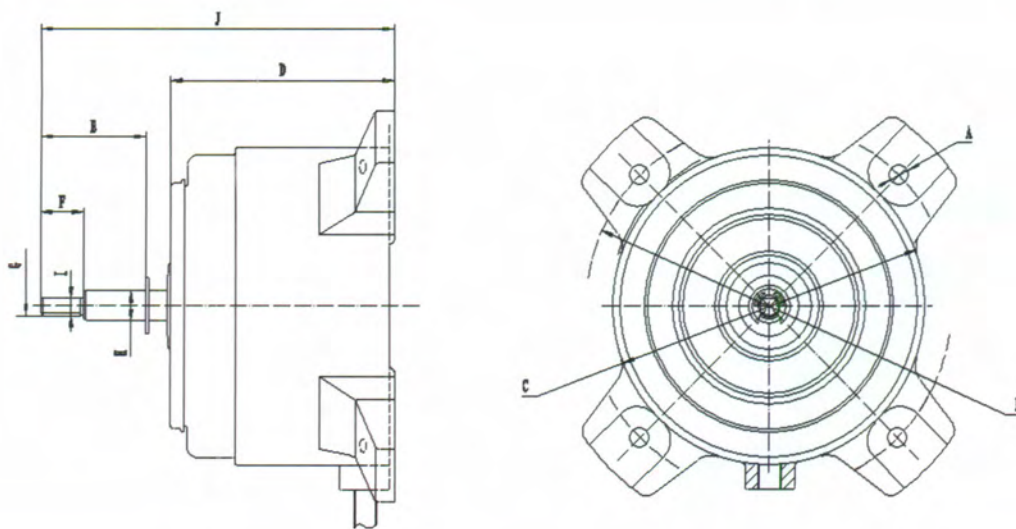
Major technical parameter

NO	Model	Vol (V)	Freq (Hz)	Cap (μF)	Power (W)	Speed (r/min)
1	KFD Series	220-230V	50	4-6	30-80	300-650
2	KFD Series	100-120V	50/60	4/6/8	40-90	500-880
3	KFD Series	220-240V	50/60	3/4/6	40-90	500-880
4	YYW45-6	220V	50	3.5	30-50	500-880
5	YYW75-6	220V	50	4	40-80	500-880
6	YYW120-6	220V	50	8	40-120	500-880

The shape of motor and the dimensions of structure



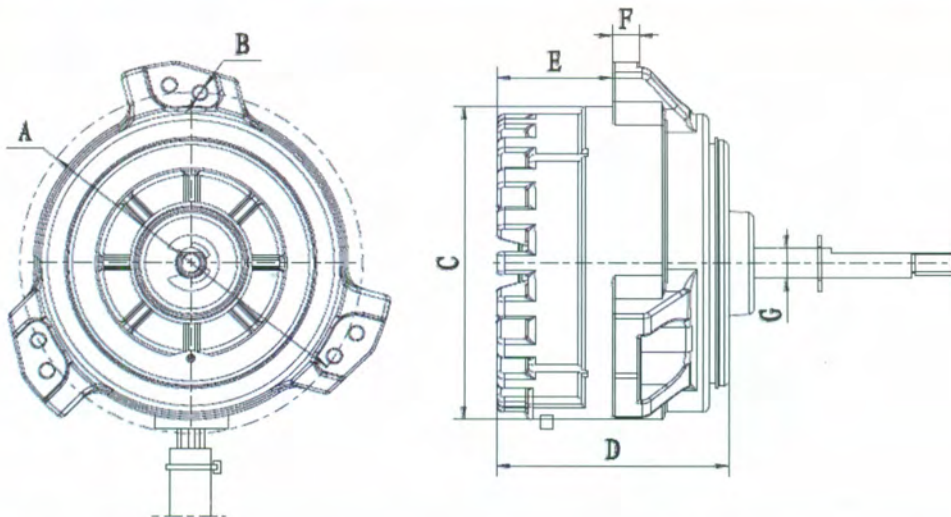
dimension	A	B	C	D	E	F
Φ120	145	106.5	62	45	84	17
dimension	G	H	ΦI	ΦK	ΦL	ΦM
Φ120	M8	7	Φ12	Φ123	Φ7	Φ170



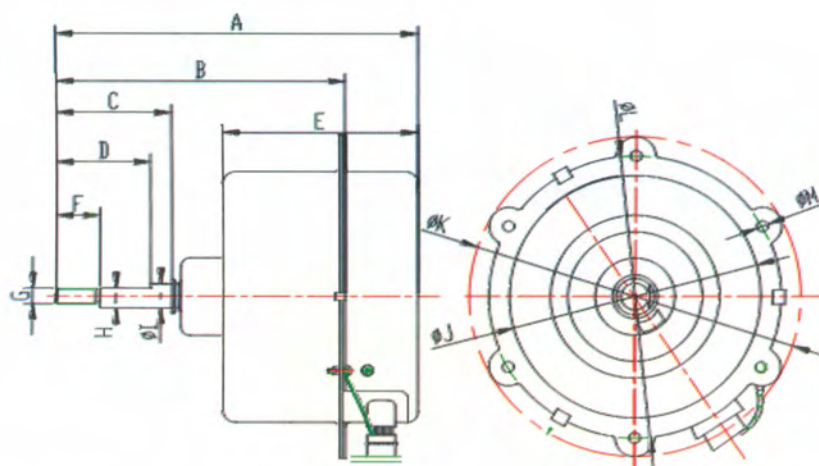
dimension	A	B	ΦC	D	E	F	G	ΦH	J	M
I	Φ8	Φ146	125	81.7	43	14.5	M8-6g	12	Φ7	141
II	Φ7	Φ176	125	81.7	43	14.5	M8-6g	Φ12	Φ7	141

Note : The specific diameter can be adjusted as per customer's machine assembly.

The shape of motor and the dimensions of structure



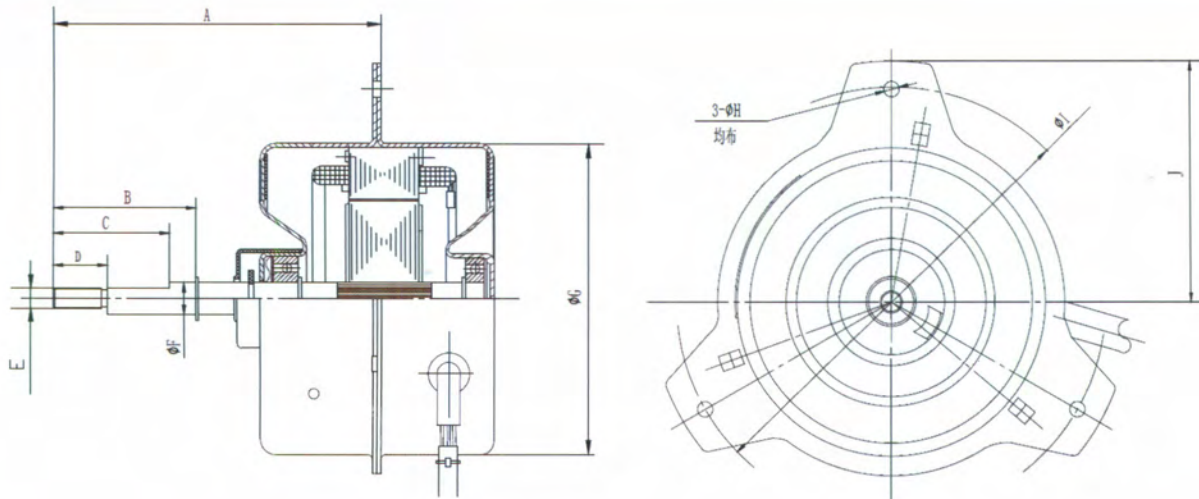
dimension	ΦA	ΦB	ΦC	D	E	F	G
I	135	5.2	124	91.7	45.5	11	12
II	142	5.2	124	91.7	45.5	11	12
III	174	6.5	124	81.7	35.5	7	12



dimension	A	B	C	D	E	F
$\Phi 120$	145-200	100-120	50-70	30-50	81-89	10-15
dimension	H	ΦI	ΦJ	ΦK	ΦL	ΦM
$\Phi 120$	10	12	123	152	135	5.4

Note : The specific diameter can be adjusted as per customer's machine assembly.

The shape of motor and the dimensions of structure



dimension	A	B	C	D	E	F
Φ120	100-120	50-70	30-50	10-15	M8	12
dimension	ΦG	ΦH	ΦI	J		
Φ120	123	6/5.4	166/135	93		

Note : The specific diameter can be adjusted as per customer's machine assembly.

140 series single phase asynchronous motor



Application

- Central air - conditioner indoor unit fan

Performance

- Voltage: 100-120V/208-240V
- Frequency: 50/60Hz
- Pole: 4/6/8P

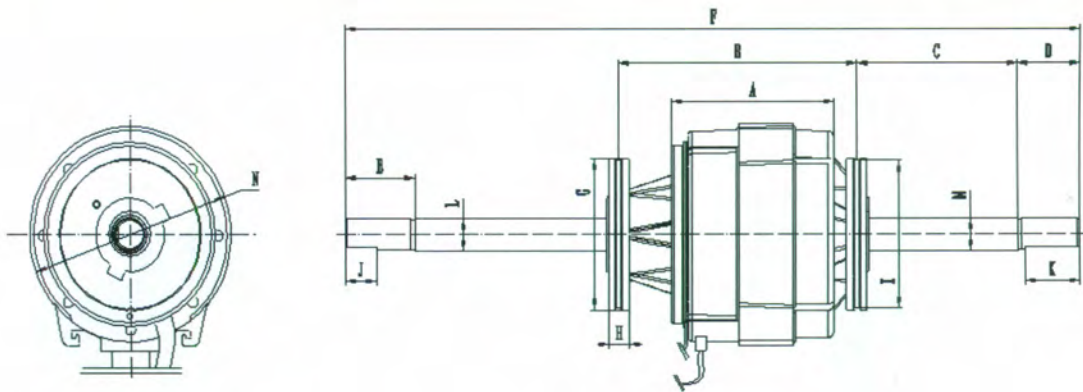
Feature

- Hall element pulse or tap speed mode
- Continuous duty
- Class B insulation
- Small volume, light and low noise
- Accord with CCC standard
- IP20/ IP44 protection level

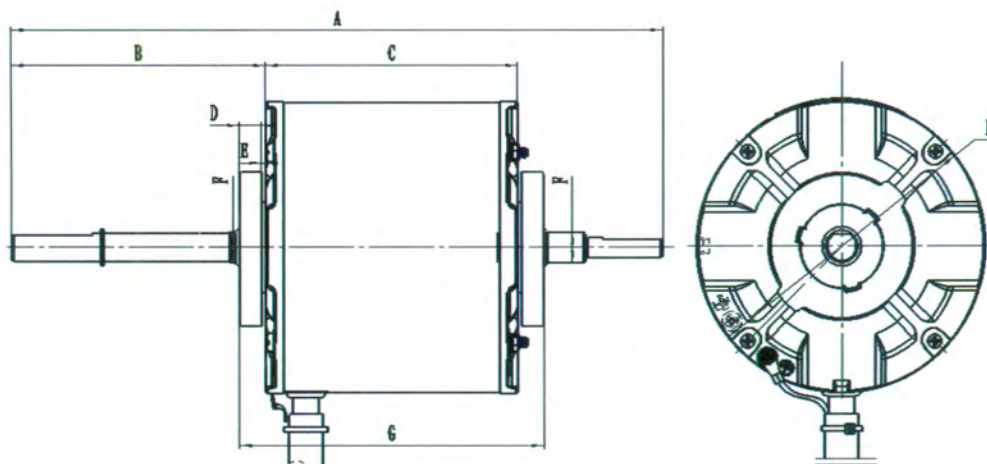
Major technical parameter

NO	Model	Vol (V)	Freq (Hz)	Cap (μF)	Power (W)	Speed (r/min)
1	YYW55-4	220	50	4	55	1310
2	YYW85-4	220	50	7	85	1370
3	YDK150-4	230	50	7	150	960

The shape of motor and the dimensions of structure



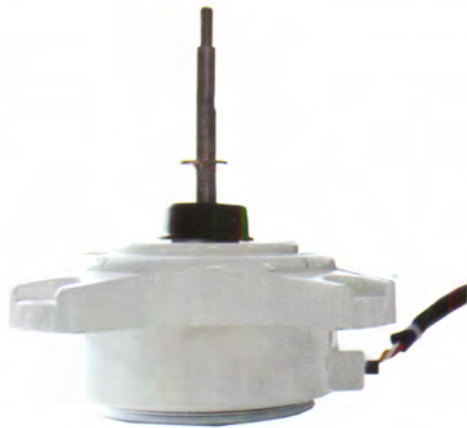
dimension	A	B	C	D	E	F	ΦG	H	ΦI	J	K	ΦL	ΦM	ΦN
I	95.2	118	80	31	34.5	364	69	10	67.5	15.5	27.5	15	15	100
II	85.2	108	84.5	31	23	262	69	10	67.5	19	27.5	15	15	124



dimension	A	B	C	D	E	ΦF	G	ΦH
I	323	126	125	11	2	15	151	143

Note : The specific diameter can be adjusted as per customer's machine assembly.

BLDC S51 series motor



Application

- Wall air – conditioner indoor unit fan
- Small air condition

Performance

- Voltage: DC 140V, 280V, 300V, 310V, 340V
- Pole: 8/10P

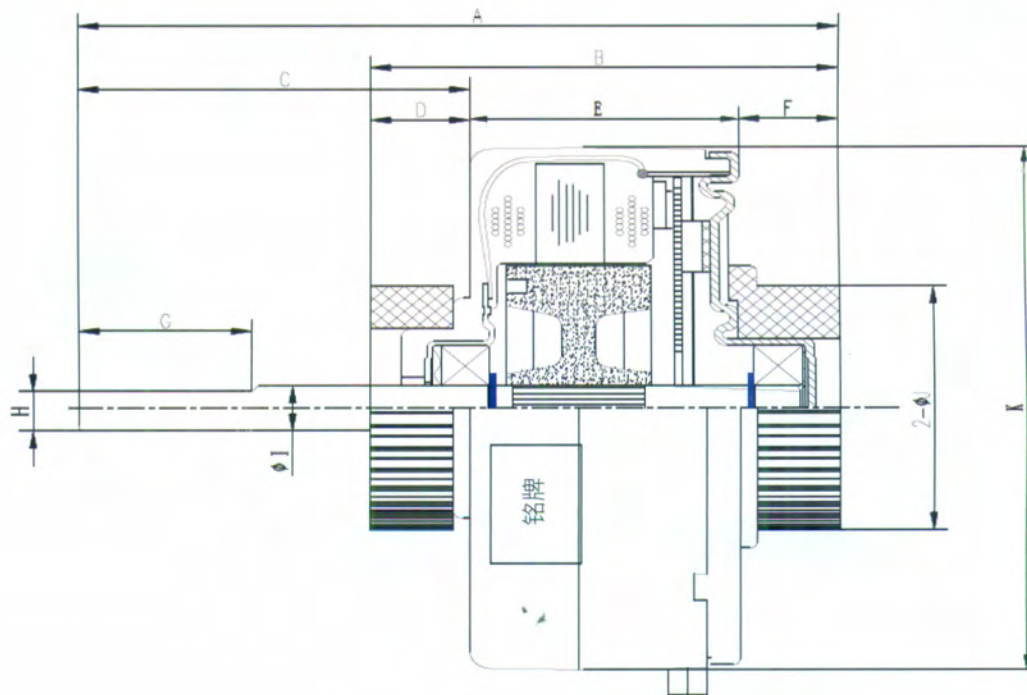
Feature

- Driver circuit built-in, speed feedback
- Continuous duty
- Class E insulation
- Small volume, light and low noise
- Accord with CCC standard
- IP24 protection level
- Bearing anti-corrosion design

Major technical parameter

NO	Model	Rotor model	Control loop	Power (W)	Vol (V)	Speed (r/min)	Eff %
1	ZWA108D***	Plastic Coated Magnetic Tile	Sine Wave drive/ sensor only/No loop	8-20	100-350	500-3000	70 and above
2	ZWA138D***	Plastic Coated Magnetic Tile	Sine Wave drive/ sensor only/No loop	20-40	100-350	1000-3000	70 and above

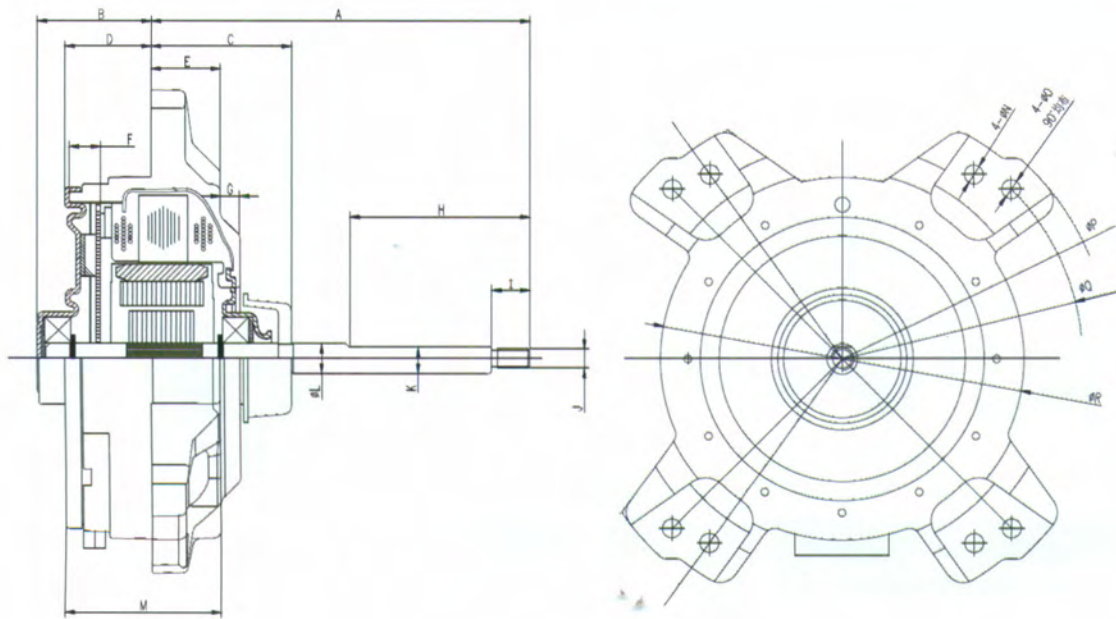
The shape of motor and the dimensions of structure



dimension	A	B	C	D	E	F	G	H	ΦI	ΦJ	ΦK
I	86-168	58-88	35-88	10-17	39	10-17	10-50	7	8	41-43	92
II	86-168	61-95	35-88	10-17	42	10-17	10-50	7	8	41-43	92
III	86-168	65-105	35-88	10-17	53	10-17	10-50	7	8	41-43	92

Note : The specific diameter can be adjusted as per customer's machine assembly.

The shape of motor and the dimensions of structure



dimension	A	B	C	D	E	F	G	H	I
I	90-135	30-41	37	22-33	18.3	8.5	5.3	25-55	10-15
II	J	K	ΦL	M	ΦN	ΦO	ΦP	ΦQ	ΦR
III	M5/M6	7	8	41-52	5	5.5	142	127	96

Note : The specific diameter can be adjusted as per customer's machine assembly.

BLDC S70 series motor



Application

- Wall air – conditioner outdoor unit fan
- Packaged air – conditioner outdoor unit fan
- Central ventilation system air supply motor
- Window air – conditioner fan

Performance

- Voltage: DC 140V, 280V, 300V, 310V, 340V
- Pole: 8/10P

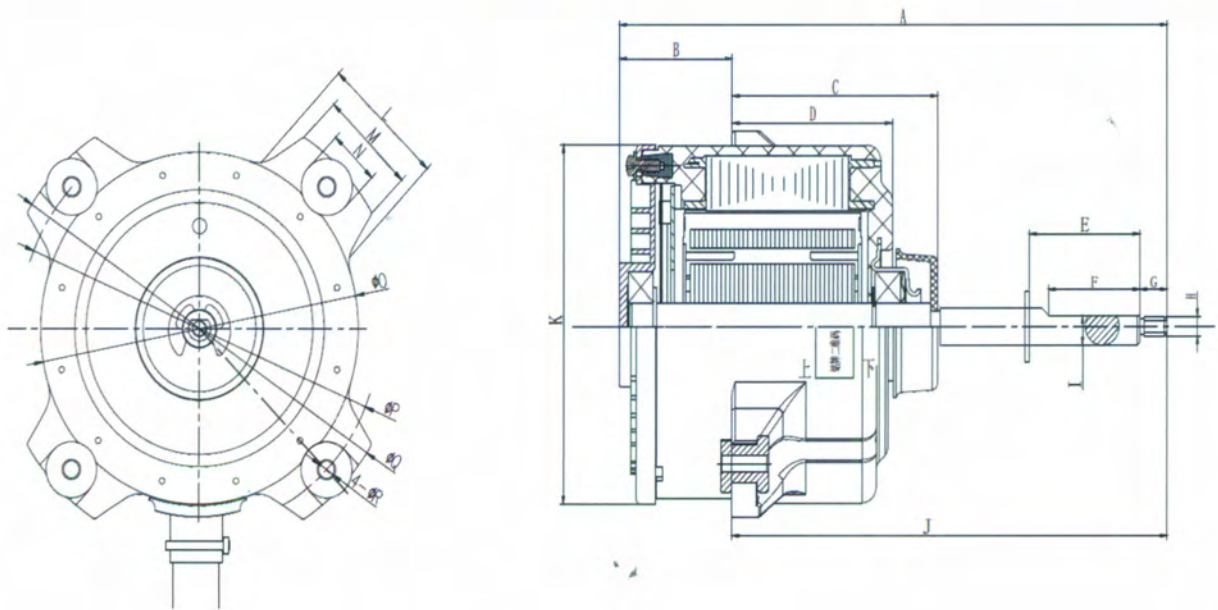
Feature

- Driver circuit built-in, speed feedback
- Continuous duty
- Class E insulation
- Small volume, light and low noise
- Accord with CCC standard
- IP24 protection level
- Bearing anti-corrosion design

Major technical parameter

NO	Model	Rotor model	Control loop	Power [W]	Vol [V]	Speed [r/min]	Eff %
1	ZWB***	Sintering	Sine Wave Drive/ sensor only/mcu/ no loop	50-250	100-350	500-2000	70 and above

The shape of motor and the dimensions of structure



dimension	A	B	C	D	E	F	G	H	I
	100-200	20-40	60-80	47-55	25-60	20-55	10-15	M6/M8	10
dimension	J	K	L	M	N	ΦO	ΦP	ΦQ	ΦR
	80-180	112	42	34	18	112	127	142	5.5

Note : The specific diameter can be adjusted as per customer's machine assembly.

The shape of motor and the dimensions of structure



dimension	A	B	C	D	ΦO	ΦP	ΦQ	ΦR
	200 - 650	90/100/110	66.7/76.7	17/27/37	12-15	62-67	63-69	112

Note : The specific diameter can be adjusted as per customer's machine assembly.

BLDC S90 series motor



Application

- Central air conditioning multiple unit fan

Performance

- Voltage: 115, 208-230VAC-1Ø
- Frequency: 50/60Hz

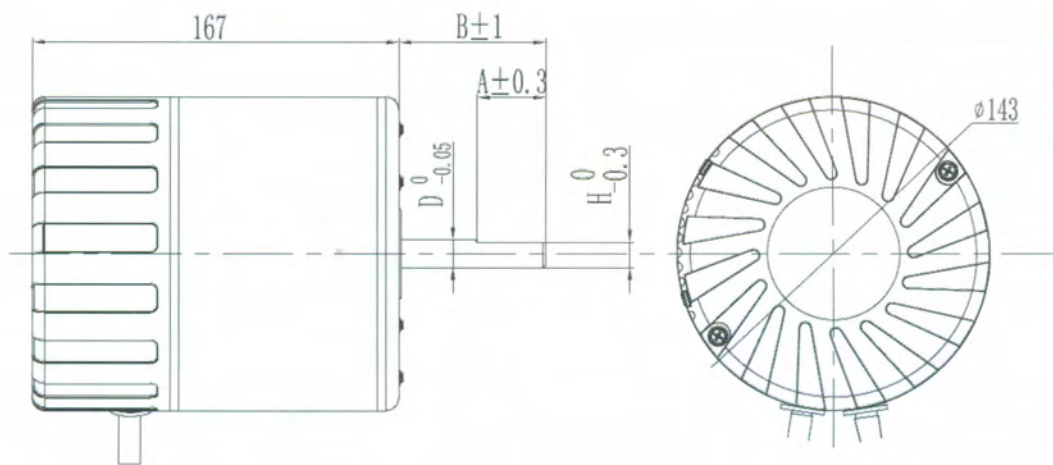
Feature

- Constant Airflow, Constant Torque & Constant Speed Modes
- PWM & communication for controller.
- Up to 5 discrete Programmable speed
- Advanced protection features. Selectable rotation CW&CCW
- UL, cUL approvals

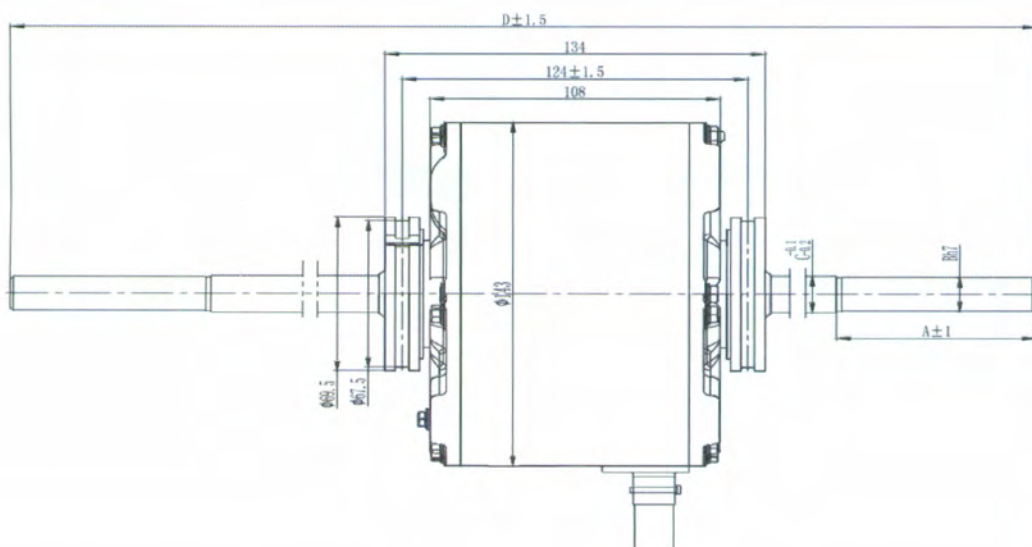
Major technical parameter

Out power	Voltage	Frequency	Rated speed	{60HZ} AMP max	Rotation	Eff (max)
1/4HP	115V	50/60HZ	1050RPM	3.6A	CW/CCW	82%
	208-230V			2.6A		83%
1/3&1/2HP	115V		1050RPM	6A		86%
	208-230V			3.8A		86%
3/4HP	115V		1050RPM	7A		86%
	208-230V			5.5A		87%
1HP	115V		1050RPM	10A		87%
	208-230V			6.6A		88%

The shape of motor and the dimensions of structure



dimension	A	B	H	ΦD
48FRAME	50-100	100-150	11.5/13.5	12.7/15



dimension	A	ΦB	ΦC	D
48FRAME	50-100	11.5/14	12.7/15	MAX 630

Note : The specific diameter can be adjusted as per customer's machine assembly.

BLDC S110 series motor



Application

- Central air conditioning multiple unit fan

Performance

- Voltage: DC 280~560V
- Pole: 8/10P

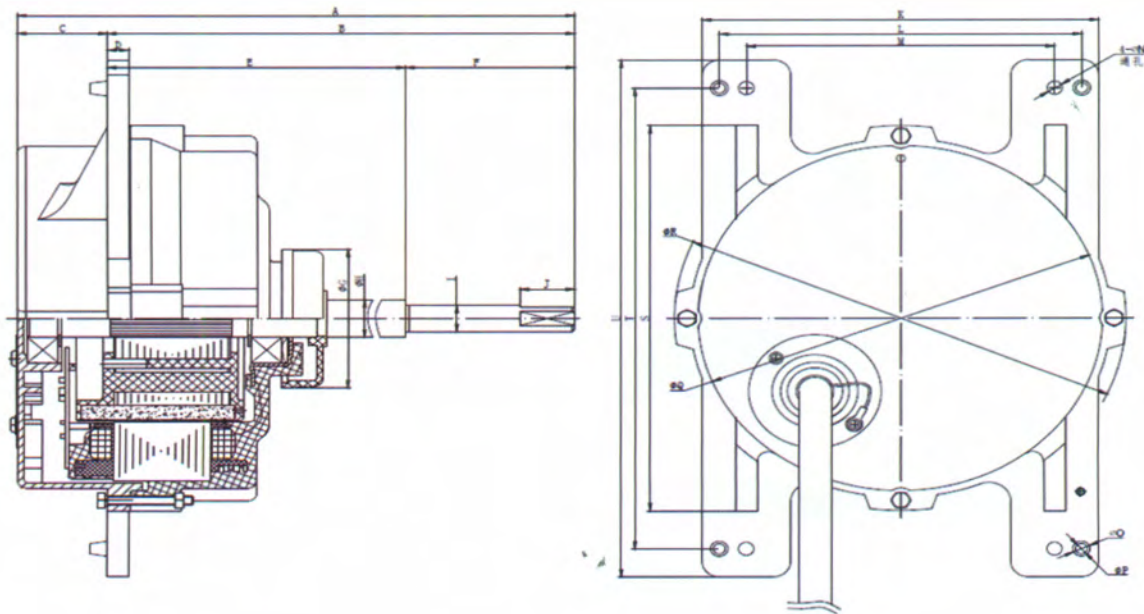
Feature

- Speed regulation mode of upper computer
- Continuous duty
- Class B insulation
- Low noise, high efficiency
- Accord with CCC standard
- IP44 protection level

Major technical parameter

NO	Model	Vol(V)	Power(W)	Speed(r/min)	AMPS(A)
1	WZD Series	280-560	350-1400	700-1200	1-2.5

The shape of motor and the dimensions of structure



dimension	A	B	C	D	E	F	ΦG	ΦH	I
	280-330	240 - 290	41	9.5	160-200	60-90	74	20	14
dimension	J	K	L	M	N	ΦO	ΦP	ΦQ	ΦR
	20-40	180	164.5	140	7	8	5.5	183.7	206
dimension	ΦS	T	U						
	205	245	275						

Note : The specific diameter can be adjusted as per customer's machine assembly.

WOLONG

Power your future



WL_HA_01_HAM_201909_EN_VER1.0



**BROOK
CROMPTON**



GE INDUSTRIAL MOTORS

**LAURENCE
SCOTT**

MORLEY



SCHORCH



WOLONG