

UNMENTIONED TOLERANCES

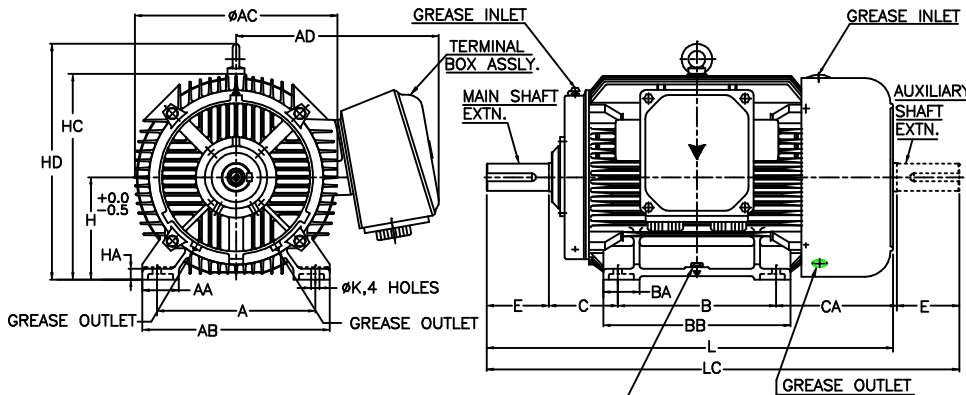
LINEAR	ABOVE 0	6	315	1000
DIMENSIONS (UPTO 6 (MACHINED))	±0.2	±0.5	±0.8	±1.2
ANGLES	± 1/2°			

ALL INFORMATION CONTAINED IN THIS DOCUMENT IS CONFIDENTIAL AND THE PROPERTY OF KIRLOSKAR ELECTRIC CO. LTD., REPRODUCING OF THESE IN ANY FORM IS TO BE DONE WITH THE SPECIFIC PERMISSION OF THE COMPANY.

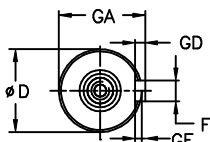
SURFACE ROUGHNESS (MAX) AS PER KSD-02-027

Re	um	50	12.5	25	1.6	3.2	6.3	0.2	0.4	0.6	0.8	0.025	0.05	0.1
OLD	NEW	∇	∇	∇	∇	∇	∇	∇	∇	∇	∇	∇	∇	∇

DIMENSIONAL DRAWING



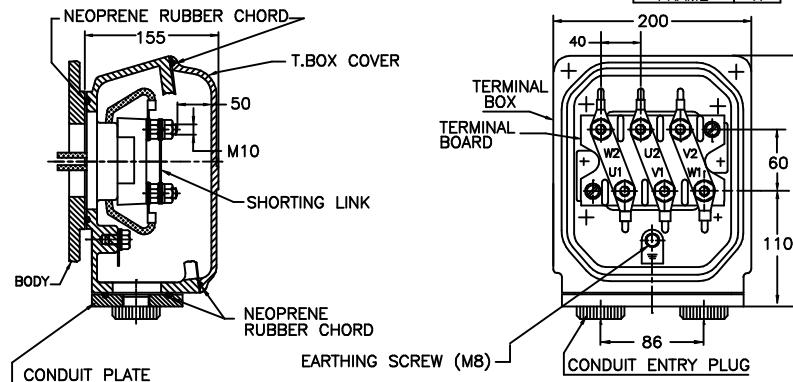
2 NOS. OF M10, EARTHING SCREWS ONE ON EACH SIDE



DETAILS OF MAIN & AUXILIARY SHAFT EXTENSION

- NOTE :
1. DIMENSIONS ARE AS PER IS:1231
 2. MAIN & AUXILIARY SHAFT EXTENSIONS ARE IDENTICAL.
 3. DEGREE OF PROTECTION: IP:55.
 4. TOLERANCE ON 'D' : k6 UPTO & INCLUDING $\phi 48$: m6 INCLUDING & ABOVE $\phi 55$
 5. PROTECTED CENTRE HOLE AT SHAFT EXTENSION AS PER IS:2540. "M16 X 32" FOR 'D' - $\phi 48$ "M20 X 40" FOR 'D' - $\phi 55$ & $\phi 60$
 6. TERMINAL BOX CAN BE ROTATABLE THROUGH 360° IN STEPS OF 90°.
 7. KEY & KEYWAY ARE AS PER IS:2048 & TOLERANCE ON KEYWAY IS P9.

TERMINAL BOX ARRANGEMENT



NOTE: MAX. CABLE SIZE : MAIN-2x3.5Cx95sqmm. SHORTING LINKS ARE PROVIDED ONLY FOR DOL START. AND NOT FOR STAR-DELTA STARTING.

SC225	242
SC180,200	230
FRAME	X

ITEM/TAG No.				
RATING				
CABLE SIZE				
O/A NO.:		CUSTOMER :		
PROJECT :		CONSULTANT :		JOB No. :

Sl. NO	FRAME	POLES	A	AA	AB	∅AC	AD	B	BA	BB	C	CA	D	E	F	GA	GD	GE	H	HA	HC	HD	∅K	L	LC
1	SC 180M	2,4,6 & 8	279	64	330	381	357	241	64	292	121	205	48	110	14	51.5	9	5.5	180	27	362	415	15	679	787
2	SC 180L	2,4,6 & 8	279	64	330	381	357	279	64	330	121	205	48	110	14	51.5	9	5.5	180	27	362	415	15	717	825
3	SC 200L	2,4,6 & 8	318	90	390	431	380	305	80	355	133	225	55	110	16	59	10	6	200	34	410	495	19	775	883
4	SC 225S	2	356	76	444	490	408	286	70	331	149	253	55	110	16	59	10	6	225	34	463	544	19	800	908
5	SC 225S	4,6 & 8	356	76	444	490	408	286	70	331	149	253	60	140	18	64	11	7	225	34	463	544	19	830	968
6	SC 225M	2	356	76	444	490	408	311	70	356	149	253	55	110	16	59	10	6	225	34	463	544	19	825	933
7	SC 225M	4,6 & 8	356	76	444	490	408	311	70	356	149	253	60	140	18	64	11	7	225	34	463	544	19	855	993

Z122034300JR

REV.	ZONE	DCN.No.	BRIEF RECORD	SIGNATURE	DATE	PRINTS ISSUED TO
3	-	0122209	REDRAWN IN A NEW FORMAT.			QA
2	A,B-4	0012204	HA-DIMENSION.27,34 WERE 19,25,NOTE-7- REMOVED.			MARKETING
1	C-3	2282298	MAIN CABLE SIZE CHANGED.			PRODUCTION

THIS SUPERSEDES FROM dt AS PER DCN No.....

THIS SUPERSEDED BY FROM dt AS PER DCN No.....

MATERIAL SPECIFICATION	RAW MATERIAL SIZE	WEIGHT kg
		RM FIN.

CASTING/FAB REF. _____ No.P.S.: - _____

USED ON

SC 180 TO 225

TITLE: DIMENSION SHEET

32203498R3

KIRLOSKAR ELECTRIC COMPANY LTD. HUBLI-580030K INDIA

