

Keeping Industry Turning

WSD-H Series AC Servo Product

**BROOK
CROMPTON**
a WOLONG company

WSD-H Series Product Introduction

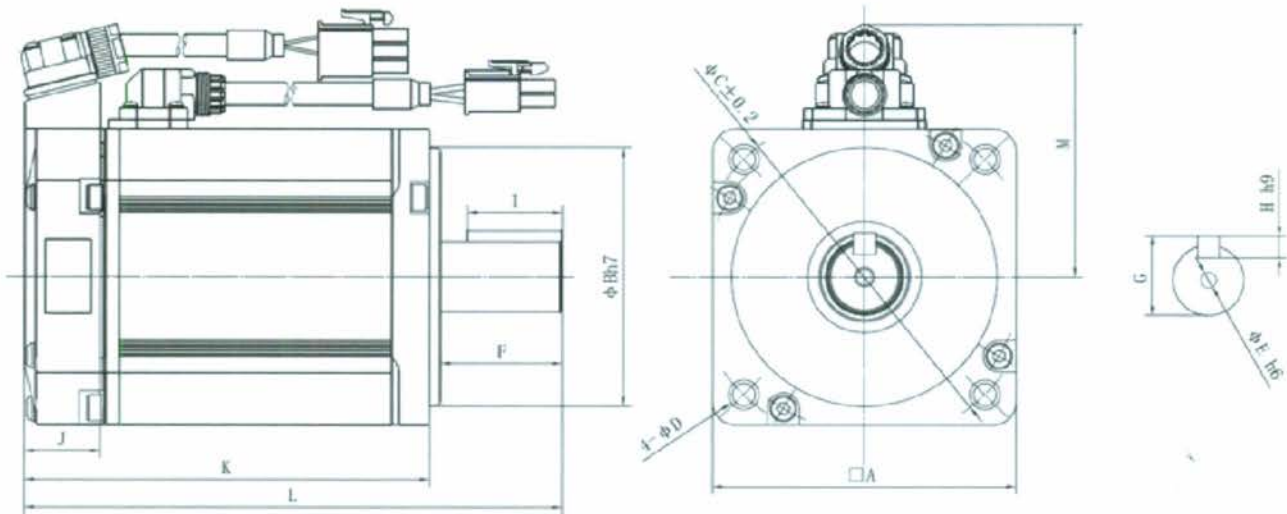


Main Use

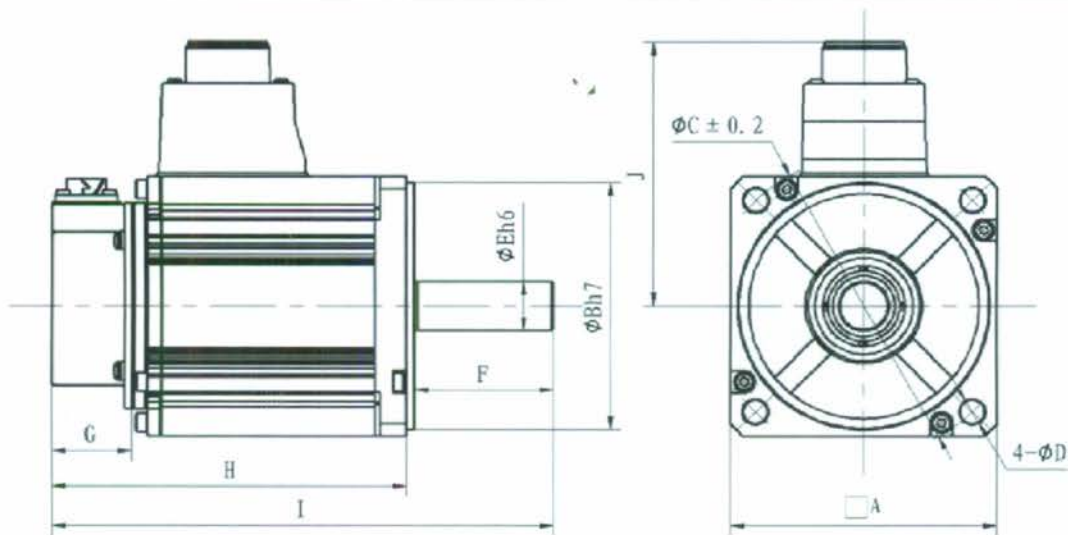
Applicable to high-precision automatic control industry, such as CNC machine tools, woodworking engraving, spraying equipment, medical instruments, automated production lines, robots, textile machinery, etc.

Main Features

1. The H-series servo drives adopt single board design scheme with simple structure;
2. The 20-bit incremental encoder with standard configuration boasts fast response and high control accuracy (it can support the market mainstream optical encoder);
3. The motor protection grade is IP65/67, which meets the waterproof and dustproof requirements;
4. Powerful upper computer software;
5. It can be debugged in a simple and fast way with various functions, such as automatic gain adjustment and vibration abatement.



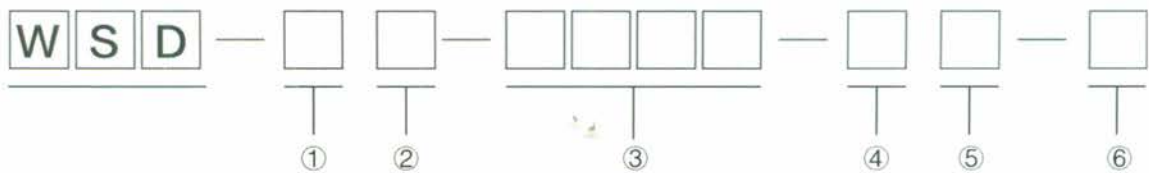
Model	Size values												
	A	B	C	D	E	F	G	H	I	J	K	L	M
MSXL201T2*	60	50	70	4.5	11	27	12.5	4	18	18	75.1	105.1	43
MSXL401T2*	60	50	70	4.5	14	27	16	5	22.5	18	94.5	124.5	43
MSXL751T2*	80	70	90	6	19	32	21.5	6	22	20	106.7	141.7	53



Model	Size values									
	A	B	C	D	E	F	G	H	I	J
MSXL102T2*	100	95	115	9	19	52	30	133	188	101.5
MSXL152T2*	100	95	115	9	19	52	30	151.5	206.5	101.5
MSXL202T2*	100	95	115	9	19	52	30	170.5	225.5	101.5
MSYM102T2*	130	110	145	9	22	49	30	130	185	116.5
MSYM152T2*	130	110	145	9	22	49	30	147.5	202.5	116.5
MSYM202T2*	130	110	145	9	22	49	30	165	220	116.5
MSYM302T2*	130	110	145	9	22	49	30	200	255	116.5

PS: Brake can be selected.

WSD-H Series AC Servo Driver



①	Code	Product series
	B	B-series * ^①
	H	H-series * ^②

②	Code	Version number
	1	1

⑥	Code	Special specifications
	T	T-special

③	Code	Maximum applicable motor power
	0010	100W
	0020	200W
	0040	400W
	0075	750W
	0100	1KW

④	Code	Specification of power
	2	Single-phase 220v
	3	Three-phase 220V
	4	Three-phase 380V

⑤	Code	Development serial number
	A	A-series
	B	B-series
	C	C-series

Imprint: *^① BASIC PERFORMANCE OF EUROPEAN TYPE
*^② HIGH PERFORMANCE OF EUROPEAN TYPE

Adaptive Motor

Model	WSD-H Series				
	WSDH100052A	WSDH100102A	WSDH100202A	WSDH100402A	WSDH100752A
Electric machinery model	50W	100W	200W	400W	750W